

## Title II: General requirements for HVDC connections

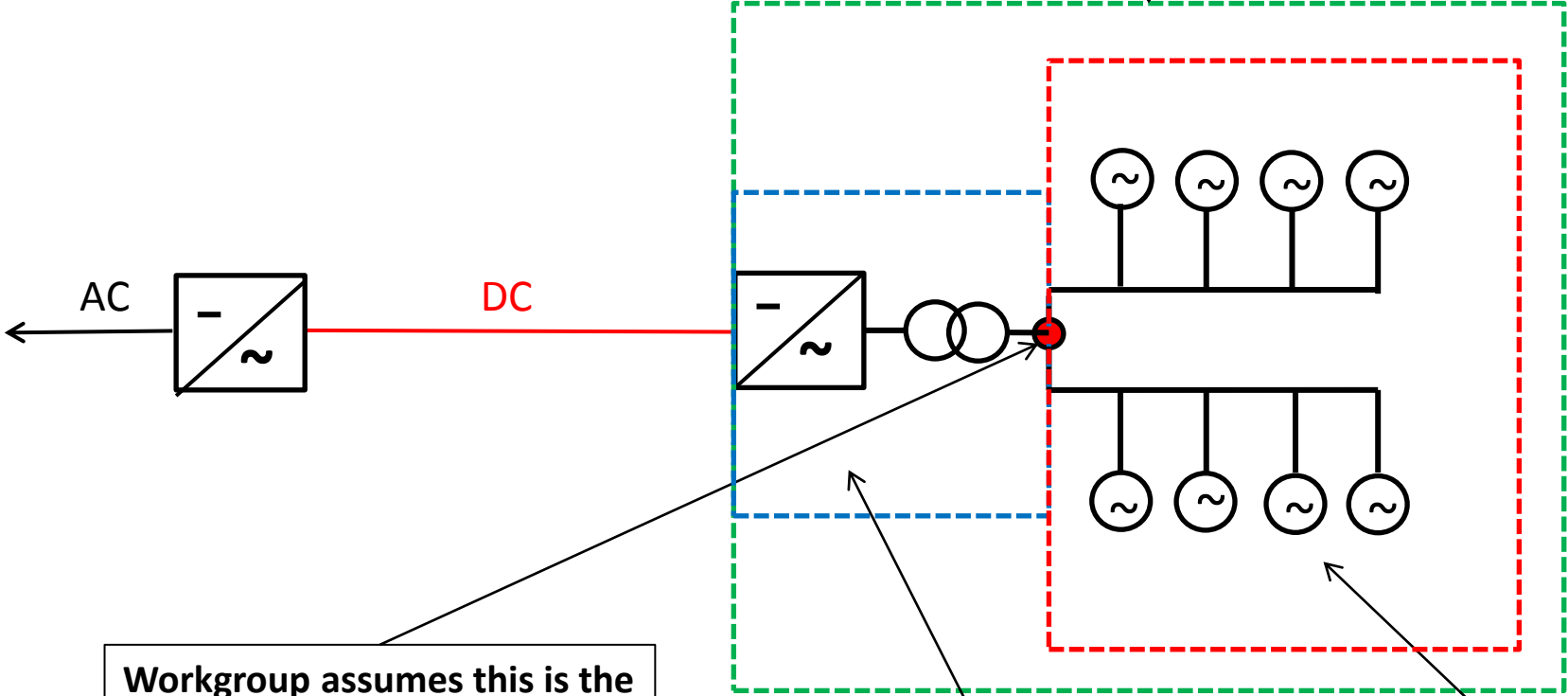


e.g. Sellindge – Les Mandarins

Title II places requirements on an “HVDC system” which is defined in Article 2 as “means an electrical power system which transfers energy in the form of high-voltage direct current between two or more alternating current (AC) buses and comprises at least two HVDC converter stations with DC transmission lines or cables between the HVDC converter stations”.

**Workgroup question: Are DC-connected power park modules and remote-end HVDC converter stations also covered by Title II?**

Title III: "Requirements for DC-connected power park modules and remote-end HVDC converter stations" applies here

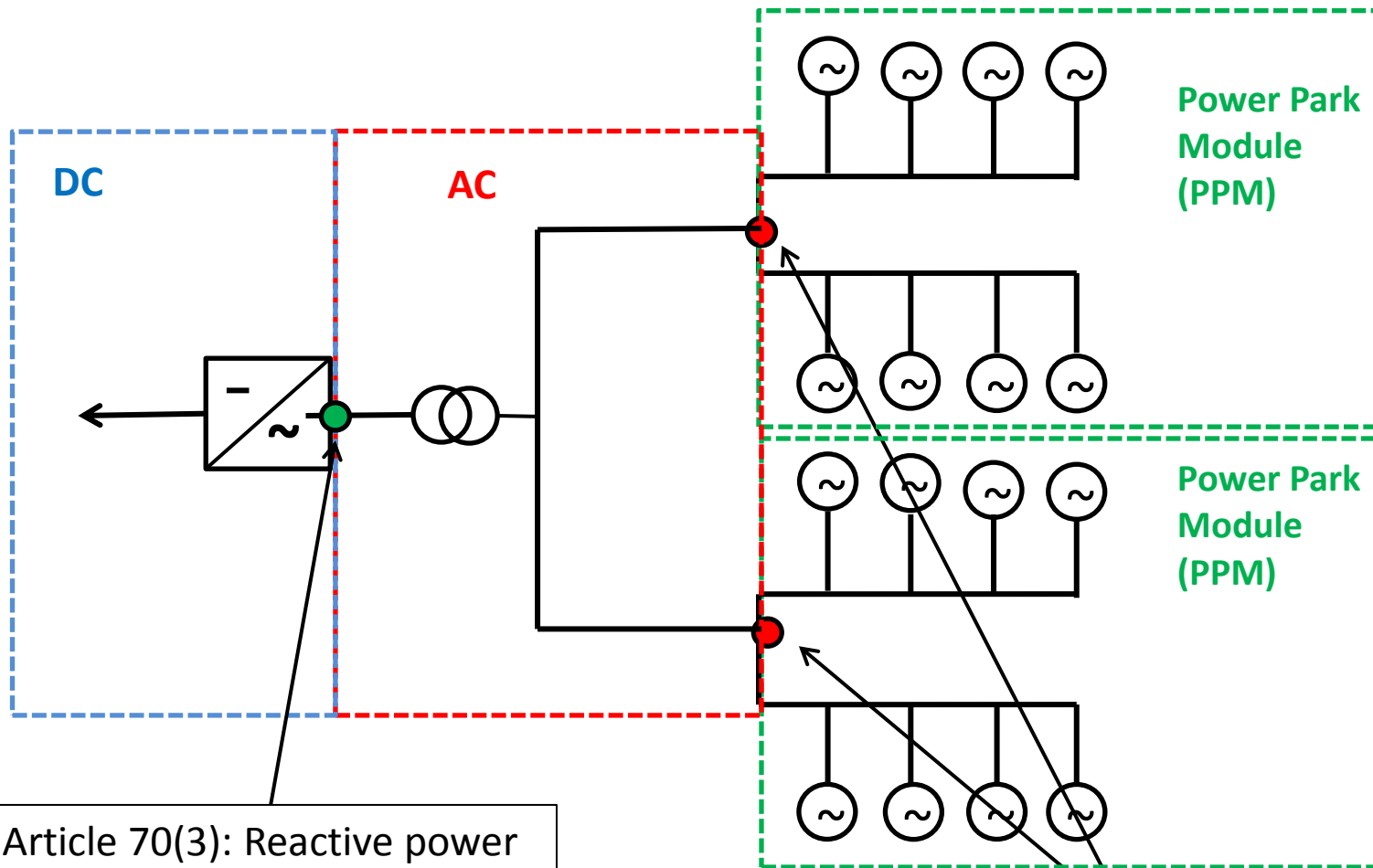


**Workgroup assumes this is the "HVDC Interface Point". Is that correct?**

Title III, Chapter 2: Requirements for remote-end HVDC Converter Stations

Title III, Chapter 1: Requirements for DC-Connected Power Park Modules

# Title VI Compliance, Chapter 2: Compliance Testing, Article 70: Compliance testing for DC-connected power park modules and remote-end HVDC converter units



Article 70(3): Reactive power capability test of remote-end HVDC converter units.  
**Is ● the point where the capability is tested?**

Article 70(2): Reactive power capability test of DC-connected power park modules.  
**Is ● the point where the capability is tested?**