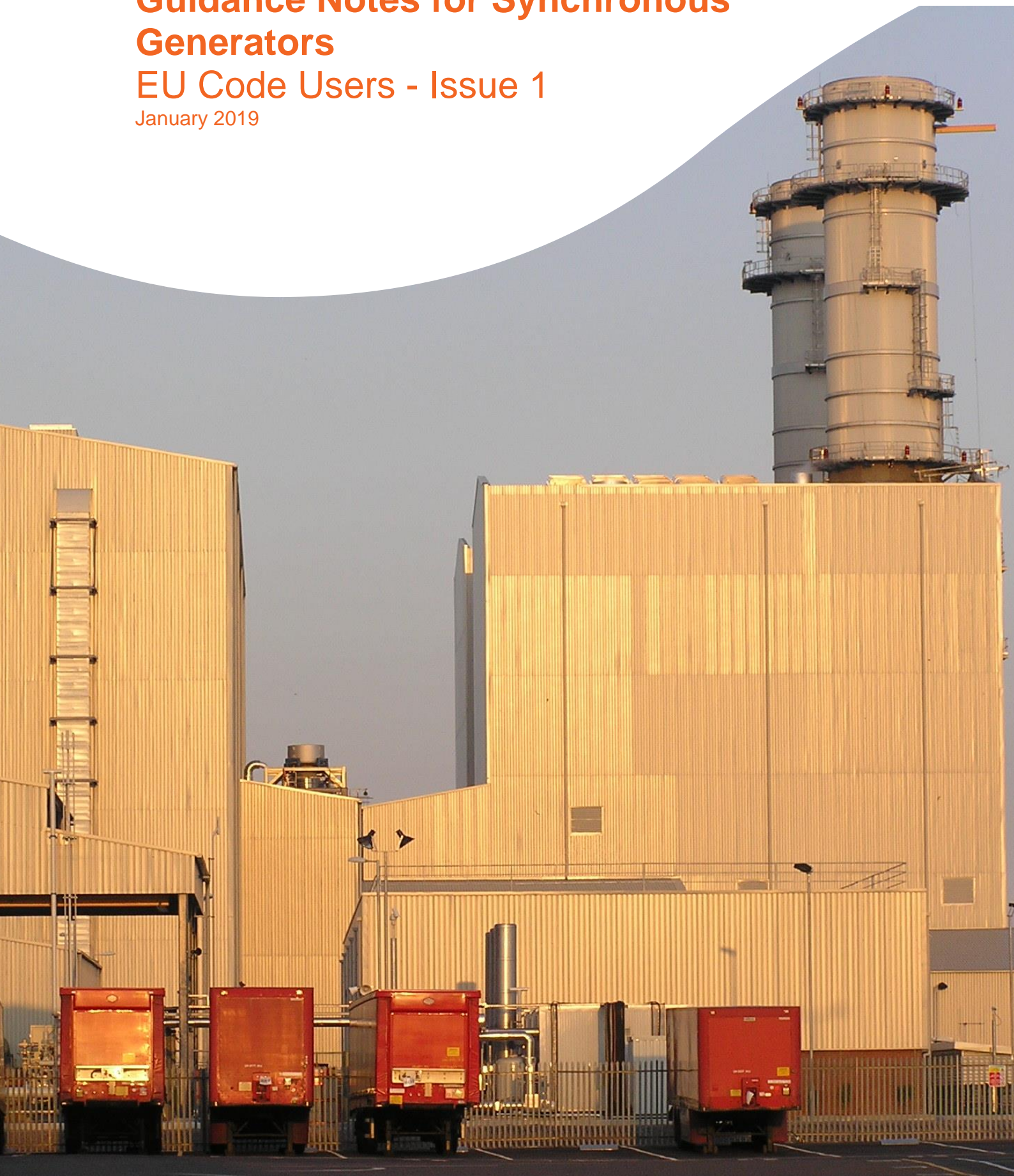


Guidance Notes for Synchronous Generators

EU Code Users - Issue 1

January 2019



Foreword

These Guidance Notes have been prepared by the National Grid Electricity System Operator (NGESO) to describe to Generators and other Users on the system how the Grid Code Compliance Processes is intended to work. Throughout this document NGESO refers to National Grid ESO and National Grid refers to the Transmission Owner part NGET.

These Guidance Notes are prepared, solely, for the assistance of prospective Generators connecting directly to the National Electricity Transmission System or Large Embedded Power Stations. In the event of dispute, the Grid Code and Bilateral Agreement documents will take precedence over these notes.

Small and Medium Embedded Power Stations should contact the relevant Distribution Network Operator (DNO) for guidance.

These Guidance Notes are based on the Grid Code, Issue 5, Revision 25, effective from the 07 September 2018. They have been developed from Issue 12 of the Guidance Note of September 2012 and reflect the major changes brought about by Grid Code revision to facilitate compliance with the European Requirements for Generator, as approved by the regulator Ofgem on 16 May 2018.

Definitions for the terminology used this document can be found in the Grid Code.

The Electricity Customer Connections Manager (see contact details) will be happy to provide clarification and assistance required in relation to these notes and on Grid Code compliance issues.

NGESO welcomes comments including ideas to reduce the compliance effort while maintaining the level of confidence. Feedback should be directed to the NGESO Electricity Connection Compliance team at:

Telephone: 01926 65 4874

Email: sade.adenola@nationalgrid.com



Sade Adenola

Connections Compliance Manager
Faraday House, Warwick

Disclaimer: This document has been prepared for guidance only and does not contain all the information needed to comply with the specific requirements of a Bilateral Agreement with NGESO. Please note that whilst these guidance notes have been prepared with due care, NGESO does not make any representation, warranty or undertaking, express or implied, in or in relation to the completeness and or accuracy of information contained in these guidance notes, and accordingly the contents should not be relied on as such.

© National Grid 2018

Contents

Foreword.....	1
Contents.....	2
Abbreviations	4
Guidance Notes	6
Introduction	8
New ECC Requirements	8
Compliance Process	9
Model	10
Simulation Studies	10
Compliance Tests	11
National Grid ESO Data Recording Equipment	12
Compliance Test Signals.....	13
Compliance Test Logsheet.....	13
Future Development of Compliance Testing.....	14
Test Notification to Control Room	14
Model Validation	14
Protection Requirements.....	15
Islanding Protection.....	16
Pole Slipping Protection	16
Appendices	18
Appendix A Reactive Capability	20
Summary of Requirements.....	20
Reactive Capability Testing	20
Appendix B Voltage Control and PSS Testing	22
Summary of Requirements.....	22
Open Circuit Tests.....	22
Power System Stabiliser Commissioning and Testing.....	22
Under Excitation (UEL) Testing.....	23
Over Excitation Limiter (OEL) Testing.....	24
Appendix C Frequency Control	26
Summary of Requirements.....	26

Modes of Frequency Control Operation	27
Governor / Load Controller	28
Target Frequency	28
Operating Configurations	29
Mechanical Flyball Governors	31
Maintaining output with falling Frequency	31
Compliance Testing Requirements	33
Dual Fuelled and Bio-Fuelled Power Stations.....	33
Test Following DCS Replacement	33
Tests for CC.6.3.3 functionality	34
Preliminary Frequency Response Testing	34
National Grid ESO Witnessed Frequency Response Testing Schedule.....	36
Generic Governor Frequency Response Test Procedure.....	37
Appendix D Test Signal Schedule and Logsheet	46
Compliance Test Signal Schedules.....	46
Compliance Test Logsheet.....	47
Appendix E Fault Ride Through	50
Summary of Grid Code Fault Ride Through (FRT) requirements	50
Appendix F Contacting National Grid	52
Contact Address:	52

Abbreviations

This section includes a list of the abbreviations that appear in this document.

Abbreviation	Description
AVC	Automatic Voltage Control (on transformers)
AVR	Automatic Voltage Regulator
BA / BCA	Bilateral Agreement / Bilateral Connection Agreement
BC	Balancing Code
BM / BMU	Balancing Mechanism / Balancing Mechanism Unit
CC / CC.A	Connection Conditions / Connection Conditions Appendix
CCGT	Combined Cycle Gas Turbine
CP	Compliance Processes
CUSC	Connection and Use of System Code
DCS	Distributed Control System
DNO	Distribution Network Operator
DMOL	Design Minimum Operating Level
DPD	Detailed Planning Data
DRC	Data Registration Code
EDL/EDT	Electronic Data Logging / Electronic Data Transfer
ELEXON	Balancing and Settlement Code Company
FON	Final Operational Notification
FRT	Fault Ride Through
FSM	Frequency Sensitive Mode
GB	Great Britain
GCRP	Grid Code Review Panel
GT	Gas Turbine
ION	Interim Operational Notification
LSFM	Limited Frequency Sensitive Mode
LON	Limited Operational Notification
MC	Maximum Capacity
MEL	Maximum Export Limit
MG	Minimum Generation
MLP	Machine Load Point

MRL	Minimum Regulating Level
MSOL	Minimum Stable Operating Level
NGESO	National Grid Electricity System Operator
NGET	National Grid Electricity Transmission
OC	Operating Code
OCGT	Open Cycle Gas Turbine
OEL	Over Excitation Limiter
OFGEM	Office of Gas and Electricity Markets
PC	Planning Code
PSS	Power System Stabiliser
PSSE	Power System Simulation for Engineering software
RISSP	Record of Inter System Safety Precautions
SEL	Stable Export limit
SO	System Operator (NGESO)
SPT	Scottish Power Transmission
SHET	Scottish Hydro Electric Transmission
ST	Steam Turbine
STC	System Operator Transmission Owner Code
TO	Transmission Owner
TOGA	Transmission Outages, Generation Availability
UDFS	User Data File Structure
UEL	Under Excitation Limiter



1

Guidance Notes

Introduction

This document complements the European Compliance Processes (ECP) included in the Grid Code providing additional description of the technical studies and testing set out within the Grid Code.

To achieve Operational Notification, the Generator, the company owning and operating a generating unit or power generating module, must demonstrate compliance with the Grid Code and Bilateral Agreement. The Grid Code is a generic document which specifies requirements regardless of local conditions. The Bilateral Agreement is a site-specific document agreed by NGESO and the Generator, which for technical reasons, may specify additional/alternative requirements or specific parameters within a range indicated in the Grid Code. The total requirements placed on Generators are therefore the aggregation of those specified in the Grid Code and Bilateral Agreement.

This particular edition of the guidance notes has been written for conventional synchronous generation technologies. Separate documents exist for new generation technologies based on asynchronous plant referred to as power parks and HVDC converter equipment.

For existing connections (connected prior to 27 April 2019) the Generator will be deemed a GB User and the new ECC user requirements will not apply. The main changes to requirements in Grid Code to include the European requirements made in May 2018 include the operation in Limited Frequency Sensitive Mode which now is not only over-frequency but also under-frequency operation. Also, there is an additional requirement on providing Fault Ride Through studies which originally were only required from Power Park Modules and now synchronous modules as well.

Generators may, if they wish, suggest alternative tests or studies, which they believe will demonstrate compliance in accordance with the requirements placed on themselves and NGESO.

New ECC Requirements

The process for Generators to demonstrate compliance with the Grid Code and Bilateral Agreement is included for EU Code Users in the Grid Code European Compliance Processes (ECP) section. In addition to the process and details of the documentation that is exchanged to control the process, appendix 3 to the ECP section includes the technical details of the simulation studies that a Generator should carry out while appendix 4 provides the details of compliance test signals and appendix 5 covers the details of the compliance tests. The ECP cross references with other sections of the Grid Code, namely the Planning Code (PC), the European Connection Conditions (ECC) and Operating Code 5 (OC5).

The technical requirements for a power generating module is based on its size at the connection point. These are categorised as follows:

The final decision on whether a modification is deemed to apply EU Code User or GB User requirements in the event of dispute lies with the regulator, Ofgem.

Category	Boundaries
Type A	800W to 1MW connected below 110kV
Type B	1MW to 10MW connected below 110kV
Type C	10MW to 50MW connected below 110kV
Type D	50MW connected at 110kV or above

Table 1: European classification of Power Stations due to size

A Power Station as defined under Grid Code would be classified as Large, Medium or Small Power Station. This could comprise of any combination of Type A, Type B, Type C or Type D power generating modules.

A power station consisting of multiple power generating modules of different sizes may require a different compliance process approach for each module. Where a customer chooses, the process applicable to the largest module may be applied to smaller modules if this is agreed in advance with NGENSO.

The PC sets out the data and information that a Generator is required to submit prior to connection and then maintain during the lifetime of the power station. The format for submission of the majority of this information is set out in the Data Registration Code (DRC).

.

The ECC sets out the majority of the generic performance requirements that a Generator is required to meet with site specific variations laid out in the Bilateral Agreement.

The ECP appendices set out the technical details of the simulations and tests which NGENSO recommends to demonstrate compliance with the Grid Code.

.

Compliance Process

The process for Generators to demonstrate compliance with the Grid Code and Bilateral Agreement is included in the Grid Code European Compliance Processes (ECP) for EU Code Users. The technical details of the simulation studies that a Generator should carry out are included in ECP Appendix 3. The Compliance Processes cross reference with other sections of the Grid Code, namely the Planning Code (PC), the European Connection Conditions (ECC) and Operating Code 5 (OC5).

The PC sets out the data and information that a Generator is required to submit prior to connection and then maintain during the lifetime of the power station. The format for submission of majority of information is set out in the Data Registration Code (DRC)

The ECC sets out majority of the technical design requirements that a Generator is required to meet with site specific variations laid out in the Bilateral Agreement.

The ECP Appendix 5 also sets out the technical details of the tests which NGENSO requires Generators to demonstrate compliance with the Grid Code.

Model

The Generator is required to provide NGENSO and the Transmission Owner (for sites in Scotland) with a model of their generating unit as detailed in PC.A.5.3.2 (a to f) of the Grid Code. The model data is to be provided as Laplace transfer functions in a block diagram format. Control systems with a number of discrete states or logic elements may be provided in flow chart format if a block diagram format does not provide a suitable representation.

The model structure and complexity must be suitable for NGENSO to integrate into their power system analysis software (currently DigSilent). In cases where the model's functionality cannot be correctly or satisfactorily represented within NGENSO's power system analysis software, the Generator may be required to liaise with NGENSO to determine appropriate simplifications or changes in representation to produce an appropriate model.

All model parameters must be identified along with units and site-specific values. A brief description of the model should ideally be provided as ultimately this will save time and money for both parties.

The model representation provided should ideally be implemented on a power system analysis software package of the Generator's choosing, as it is otherwise highly unlikely to produce valid results when compared with the test results from the real equipment. In the event the model does not produce the correct output, the data submission will be considered incorrect and not contractually compliant. NGENSO will confirm the model accuracy. Validation of the model is completed by the Generator following the compliance tests.

The model also needs to be suitable for integration into the power system analysis software used by the relevant Transmission Owner (NGET, SPT or SHET). Support may be required from the Generator to implement and, if necessary, modify the model representation for use on the Transmission Owner's power system analysis software (ordinarily this will not be the case if the model has already been satisfactorily implemented by NGENSO).

Simulation Studies

Simulation studies are required from the Generator to provide evidence that the plant and apparatus comply with the provisions of the Grid Code prior to connection. Section of the Grid Code ECP.A.3 describes the simulation studies which need to be carried out before any generating unit will be issued an Interim Operational Notification (ION) as indicated in ECP.6.3.

In general, simulation studies are required to:

- i) Demonstrate the model supplied is a true and accurate reflection of the plant as built
- ii) Be based on the validated models supplied to NGESO in accordance with Grid Code Planning Code Appendix section 5.4.2 (PC.A.5.4.2)

ECP.A.3 outlines simulation studies that are required to verify compliance with Grid Code requirements. The simulations must be based on the models supplied to NGESO in accordance with Grid Code Planning Code Appendix section 5.3.2 (PC.A.5.3.2) except for the load rejection simulations in ECP.A.3.6 where a more complex model may be utilised if appropriate provided a validation study as specified in ECP.A.3.6.6 is also provided.

Simulations should be submitted in the form of a report (ECP.A.3.1.2) to demonstrate compliance in sufficient time to allow NGESO to review the content and validity of the report and models utilised prior to the planned synchronisation date (typically 3 -6 months).

Compliance Tests

Tests identified in ECP.A.5 of the Grid Code are designed to demonstrate where possible that the relevant provisions of the Grid Code and Bilateral Agreement have been met. However, if the test requirements described in ECP.A.5 are at variance with the Bilateral Agreement or the test requirements are not relevant to the plant type the Generator should contact NGESO to discuss and agree an alternative test program and success criteria.

For each test to be carried out the description and purpose of the test, results required, the relevant Grid Code clause(s) and criteria of assessment are given in OC5. The Generator is responsible for drafting test procedures for the power station as part of the compliance process prior to the issue of the ION. Grid Code OC5 and the appendices of these Guidance Notes provide outline test schedules which may assist the Generator with this activity.

NGESO may require further compliance tests or evidence to confirm site-specific technical requirements (in line with the Bilateral Agreement) or to address compliance issues that are of particular concern. Additional compliance tests, if required, will be identified following NGESO's review of submissions of User Data File Structure (UDFS).

The tests are carried out by the Generator, or by their agent, and not by NGESO. However, NGESO will witness some of the tests as indicated in OC5 or as otherwise agreed during the compliance process. Tests should be completed following the test procedures supplied in the UDFS prior to the issue of the ION unless otherwise agreed by NGESO.

The Generator should also provide suitable digital monitoring equipment to record all relevant test signals needed to verify the synchronous generator performance in parallel with NGESO recording equipment.

National Grid ESO Data Recording Equipment

NGESO will provide a digital recording instrument on site during the tests witnessed by NGESO. A generic list of signals to be monitored during NGESO witnessed tests is tabulated in OC5.A.1.2. This will be used to monitor all plant signals at the sampling rates indicated in ECC.6.6.3. The station should provide its own digital recording equipment to record the same plant variables. This will provide a back up to the test results should one of the recording instruments fail at the time of testing.

The station is responsible for providing the listed signals to the User's and NGESO's recording equipment. For NGESO purposes the signals provided are required to be in the form of dc voltages within the range -10V to +10V (see ECC.6.6.3). The input impedance of the NGESO equipment is in the region of 1M Ω and its loading effect on the signal sources should be negligible.

The station should advise NGESO of the signals and scaling factors prior to the test day. The form of a typical test signal schedule is shown below.

Signal	Unit	Voltage Range	Signal Representation
Active Power Output	MW	0 to 8V	0 to Reg. Capacity
Reactive Power Output	Mvar	-8V to +8V	- Reg Capacity to +Reg Capacity
Terminal Voltage	kV	0 to 8V	Nominal Voltage -10% to Nominal Voltage +10%
System Frequency	Hz	-8V to 8V	48.0Hz – 52Hz

List of other signals

.....

Table 2 : A typical test signal schedule

It may be appropriate for NGESO to set up the recording equipment on the day prior to the test date. The station representatives are asked to ensure that a 230V single phase AC power supply is available and that the signals are brought to robust terminals at a single sampling point. Examples of ideal connection points are shown in the following picture.



Figure 1 – Example of Compliance Test Signal Connections

Compliance Test Signals

The Grid Code requires that a number of signals are provided from compliance tests to NGESO to allow assessment of the compliance. The list of these signals is set out in ECP.A.4 for EU Code Users.

Where these signals are provided to NGESO following witness tests or instead of witnessing there is a need to provide them in a consistent electronic format with a time stamp in a numerical format which can be interpreted in Excel. To facilitate efficient analysis the test results should include signals requested by NGESO set out in the columns order as indicated in the tables in Appendix D.

- Signals for non-witness tests should be provided in excel format and in the order and format presented in Appendix D unless otherwise agreed, in advance, with NGESO.
- Where any additional test signals to those indicated in the tables are presented these should only be added with the agreement of NGESO and be entered within the files as additional columns to the right of the required signals.
- Where a signal cannot be provided, and this has been agreed with NGESO in advance of the tests, a blank column should be retained within the data.
- Where additional signals are included or the signals are presented but not in the arrangement detailed above the data may be rejected and the customer will be asked to resubmit the data in the agreed format.

Compliance Test Logsheet

Where test results are completed without any NGESO presence but are relied upon as evidence of the compliance they should be accompanied by a logsheet. This sheet should be legible, in English and detail the items as indicated in Appendix D.

Future Development of Compliance Testing

NGESO recognises that organising of witness site tests can lead to delays in progressing connections through the compliance process. We are looking at options to deliver the same confidence while reducing the need to attend site and witness tests in the future. This would require the support of manufacturers and owners in a number of areas which are summarised below:

- 1) A suitable interface which allows NGESO a view of the key test parameters graphically in real-time from the NGESO office in Warwick. This would effectively provide the view of tests currently achieved by NGESO connecting its recording equipment while at site.
- 2) Where NGESO has decided to allow testing without real-time witnessing for compliance testing with lower materiality, such as repeat tests. In such circumstances manufacturers or developers must provide all the test data to NGESO in the standard format set out in this guidance note complete with an appropriate test logsheet.
- 3) Where NGESO has decided that the design of a Generators plant and apparatus is standardised and the compliance can be evidenced by reference to a generic set of tests completed and accepted previously. This could be reference to Equipment Certificates where these have been accepted by NGESO. This process will be offered provided in NGESO's opinion it does not pose a material risk in terms of the specific site installations.

NGESO will raise this during the compliance process and are open to suggestions from Developers. For manufacturers looking to suggest options or develop systems to facilitate remote witnessing please discuss with your compliance contact or contact NGESO using the details in this guidance note.

Test Notification to Control Room

The Generator is responsible for notifying the 'NGESO Control Centre' of any tests to be carried out on their plant, which could have a material effect on the National Electricity Transmission System. The procedures for planning and co-ordinating all plant testing with the 'NGESO Control Centre' is detailed in OC7.5 of the Grid Code (i.e. Procedure in Relation to Integral Equipment Tests). For further details relating to this procedure, refer to "Integral Equipment Tests - Guidance Notes" which can be found on National Grid's Internet site in Grid Code, Associated Documents.

The Generator should be aware that this interface with NGESO transmission planning will normally be available in week-day working hours only. As best practice, the Generator should advise the 'NGESO Control Centre' and in Scotland the relevant Transmission Owner, or Distribution Network Operator (if embedded) of the times and nature of the proposed tests at the earliest stage possible. If there is insufficient notice or information provided by the Generator, then the proposed testing may not be allowed to proceed.

Model Validation

The results recorded during the compliance tests may be used to validate the model of the excitation control system and the frequency control system.

The tests above may have proved that the generator and its control systems are compliant but the recorded behaviour tests may be different from the behaviour predicted by the simulation studies using the provided models. The differences may be due to the following reasons.

- The simulation conditions are different from the test conditions.
- The model supplied may be not accurate.

Following successful compliance tests the Generator should validate the performance of the submitted model by providing overlays of recorded tests with simulations replicating as far as reasonably practical the same conditions.

Simulation of the test under the test conditions should be carried out and the simulation results should be then compared with the test results. If the results are identical or matched very well, then the submitted model has been validated and accepted as the accurate model of the plant. If the results are different then the Generator, or the Generators agent, i.e. consultant or equipment manufacturer, should resubmit a modified model (ECP.A.3.7.5). This process will be repeated until there is close agreement with the test results and simulation results.

Protection Requirements

Under section ECC.6.2.2.2 of the Grid Code the Generator must meet a set of minimum protection requirements. As part of the User Data File Structure (UDFS) section 2 the Generator should submit a Generator Protection Settings report together with an overall trip logic diagram.

The Generator should provide details of all the protection devices fitted to the Power Station together with settings and time delays, including:

Protection Fitted	Typical Information Required
Under / Over Frequency Protection	Number of stages, trip characteristics, settings and time delays
Under / Over Voltage protection	Number of stages, trip characteristics, settings and time delays
Over Current Protection	Element types, characteristics, settings and time delays
Reverse Power Protection	Number of stages, trip characteristics, settings and time delays
Control Trip Functions	Functional Description, Control Characteristic and trip settings
Islanding Protection (see below)	Type, description, settings and time delays

Islanding Protection

If islanding protection is required, an inter-tripping scheme is recommended by G59/G99. If 'Rate of Change of Frequency' (ROCOF) trip relays are to be considered, there could be compliance implications which need to be discussed with NGENSO at the earliest opportunity. NGENSO does not require or desire Generators to fit ROCOF protection but needs to be consulted on the settings of any such protections in service. Vector Shift protection is no longer accepted.

For large deviations in system frequency consistent with islanding the requirements of ECC.6.3.7.3.5 (ii) are still applicable.

Pole Slipping Protection

NGESO does not generally ask for Pole Slipping Protection to be fitted to Generating units connected to the transmission system. However, if it is proposed to fit Pole Slip Protection by a Generator, the settings should be agreed with NGENSO to reduce the risk of mal operation during the clearance of faults on the transmission system. In general the "reach" of the protection should not exceed the impedance based on the generating unit and the worst case impedance of the generating unit step up transformer. Where any setting looks beyond the Generator and Transformer impedance the slip counter setting must be greater than 1.



A

Appendices

Appendix A Reactive Capability

Summary of Requirements

The reactive capability requirements for a generating unit are set out in ECC.6.3.2 (for Type B, C and D Power Generating Modules) of the European Grid Code, and for synchronous plant this establishes a power factor value which must be achievable at the Maximum MW value of the generating unit, both in terms of leading and lagging Mvars. This power factor value is 0.95pf for Type B synchronous power generating modules. For Type C and Type D Synchronous power generating modules this value is changes to 0.92pf. The delivery of this reactive power is required at the Grid Entry Point or User System Entry point if embedded.

In addition to the requirement in ECC.6.3.2.1 and ECC.6.3.2.3 the Grid Code ECC.6.1.4 also requires that a generating unit is capable to deliver the ECC.6.3.2 reactive capability across a variation in system voltage. The voltage variation on a 400kV system should remain within +/-5% of the nominal voltage in normal system conditions. For transmission system with voltages of 275kV, 132kV and 110kV the variation must stay between +/-10%. This capability is typically achieved for a synchronous generator by the application of an on load tapchanger in the generating unit step-up transformer. The tapchanger being capable of on-load changes in tap position and having sufficient taps to satisfy the combined requirements of ECC.6.3.2 and ECC.6.3.4.

Reactive Capability Testing

In order to demonstrate that a synchronous generating unit can satisfy the reactive capability requirements it is necessary to perform reactive capability tests as set out in ECP.A.5.7. The plant performance requirements can be found in ECC.6.3.2.1 for Type B power stations and ECC.6.3.2.3 for Type C and D power stations.

The test procedure is normally provided by the generator to NGENSO via UDFS submission and it should include the tests as stated in the following table.

Test No	Step	Description	Notes
	1	<ul style="list-style-type: none"> Increase Active Power output to Maximum Capacity 	
	2	<ul style="list-style-type: none"> Confirm AVR in control and PSS if fitted commissioned and in service 	
	3	<ul style="list-style-type: none"> Confirm AVR Voltage Setpoint set to 1 per unit 	
1	4 5	<ul style="list-style-type: none"> Active power output maintained at Maximum Capacity Generating unit transformer tapped to generate maximum continuous leading Reactive Power and hold for 60 minutes. 	
2	6 7	<ul style="list-style-type: none"> Active power output maintained at Maximum Capacity Generating unit transformer tapped to generate maximum continuous lagging Reactive Power and hold for 60 minutes. 	

	8	<ul style="list-style-type: none"> Reduce Active Power output to Minimum Stable Operating Level 	
	9	<ul style="list-style-type: none"> Confirm AVR in control and PSS if fitted commissioned and in service 	
	10	<ul style="list-style-type: none"> AVR Voltage Setpoint set to 1 per unit 	
3	11	<ul style="list-style-type: none"> Active power output maintained at MSOL 	
	12	<ul style="list-style-type: none"> Generating unit transformer tapped to generate maximum continuous leading Reactive Power and hold for 60 minutes. 	
4	13	<ul style="list-style-type: none"> Active power output maintained at MSOL 	
	14	<ul style="list-style-type: none"> Generating unit transformer tapped to generate maximum continuous lagging Reactive Power and hold for 60 minutes. 	
	15	<ul style="list-style-type: none"> Adjust Active Power output to level half way between Maximum Capacity and Minimum Stable Operating Level 	
	16	<ul style="list-style-type: none"> Confirm AVR in control and PSS if fitted commissioned and in service 	
	17	<ul style="list-style-type: none"> AVR Voltage Setpoint set to 1 per unit 	
5	18	<ul style="list-style-type: none"> Active power output maintained at agreed part-load level 	
	19	<ul style="list-style-type: none"> Generating unit transformer tapped to generate maximum continuous leading Reactive Power and hold for 60 minutes. 	
6	20	<ul style="list-style-type: none"> Active power output maintained at agreed part-load level 	
	21	<ul style="list-style-type: none"> Generating unit transformer tapped to generate maximum continuous lagging Reactive Power and hold for 60 minutes. 	

Appendix B Voltage Control and PSS Testing

Summary of Requirements

The synchronous generating units of type B, C and D are required to meet the requirements with regards to excitation control. Only type D power generating units are required to include PSS in voltage control system. The units of Type B and C are only required to have continuously acting AVR. The performance requirements for Automatic Voltage Regulator (AVR) and Power System Stabiliser (PSS) are set out in ECC.A.6.1 of the Grid Code and ECC.6.3.8. The details of the tests can be found in ECPA.5.4.3.

Open Circuit Tests

Prior to first synchronising a new generating unit (or one with a new excitation system) onto the system, the Generator should perform open circuit testing as required by ECP.6.2.4(b) and ECC.A.6.2.4. The details of the test are given in ECP.A.5.2 and the saturation characteristics can be found in ECP.A.5.3. The results should be presented to NGENSO in the form of graphs with legible axes and scaling plus the data in a form which can readily be imported into Excel. NGENSO will indicate acceptance of the open circuit tests in writing whereupon the Generator provided there are no other active restrictions may synchronise the relevant generating unit.

Power System Stabiliser Commissioning and Testing

The industry codes (Grid Code, CUSC etc.) in general, assume a generating unit is fully operational from the moment of connection. This is not practical as many systems will need on-load commissioning in order to ensure their correct operation. Some systems such as the power system stabiliser (PSS) have been identified as having significant potentially negative impacts on the security of the National Grid transmission system if incorrectly commissioned. The Grid Code BC2.11 prohibits commissioning of the PSS unless NGENSO is in attendance.

Where a power station consists of multiple generating units which need to be fitted with PSS, an assessment of the risk associated with connection and commissioning of more than one generating unit simultaneously without the PSS in service will be made by NGENSO. If the system risk is seen as significant a restriction on the maximum active power output, reactive power operating range or number of connected units may be placed within the ION until stabilisers have been commissioned successfully. The Generator will be informed of any such restrictions during the compliance process and ahead of the issue of the ION.

NGENSO will not permit PSS commissioning until the tuning methodologies and study results used in any PSS settings proposal have been provided to NGENSO. A report on the PSS tuning should be provided along with the proposed test procedure in the User Data File Structure (Part 3). Based on the information submitted, NGENSO will meet with the Generator to discuss and agree the initial PSS settings for commissioning.

The suitability of the tuning of any PSS is checked in both the time and frequency domains. In the time domain testing is by small voltage step changes injected into the AVR voltage reference block. Comparisons are made between performance with and without the PSS in service.

For analysis in the frequency domain, a bandwidth-limited (200mHz-3Hz) random noise injection should be made to the AVR voltage reference. The generator should provide a suitable band limited (200mHz-3Hz) noise source to facilitate noise injection testing. The random noise injection will be carried out with and without the PSS in service to demonstrate damping. The PSS gain should be continuously controllable (i.e. not discrete components) during testing.

The stability of the PSS gain setting will also be assessed by increasing the gain in stages to 3x the proposed setting. This increase is carried out gradually while monitoring the generator for any signs of instability.

The tests will be regarded as supporting compliance of the PSS if:

- The PSS gives improved damping following a step change in voltage.
- Any oscillations are damped out within 2 cycles
- The PSS gives improved damping of frequencies in the band 300mHz – 2Hz.
- The gain margin test demonstrates no appreciable instability at 3x proposed gain
- The interaction of PSS with changes in Active Power shows less than 2% difference in reactive power output

An outline test procedure is provided in ECPA.5.4.3 to assist Generators in drawing up their own site specific procedures for the NGESO witnessed PSS Tests although NGESO will be happy to consider an alternative test procedure suggested by the Generator.

Under Excitation (UEL) Testing

This test is carried out to establish the setting of the limiter and to verify its correct operation including adequate damping. If the excitation control system includes a PSS, tests should be carried out with PSS switched on.

As discussed earlier in this Appendix NGESO may impose operating limitations on a generating unit prior to completed the PSS commissioning tests. Under these circumstances a Generator may be unable to confirm the correct operation of an under- excitation limiter at its true setting. However, a functional test at an operating point consistent with the restriction placed in the ION is possible and should be completed by the Generator. Prior to successful under excitation limiter testing it may be appropriate to apply temporary settings in order to reduce the risk of instability during the commissioning period. This should be discussed with the NGESO Compliance Engineer and agreed prior to issue of an ION.

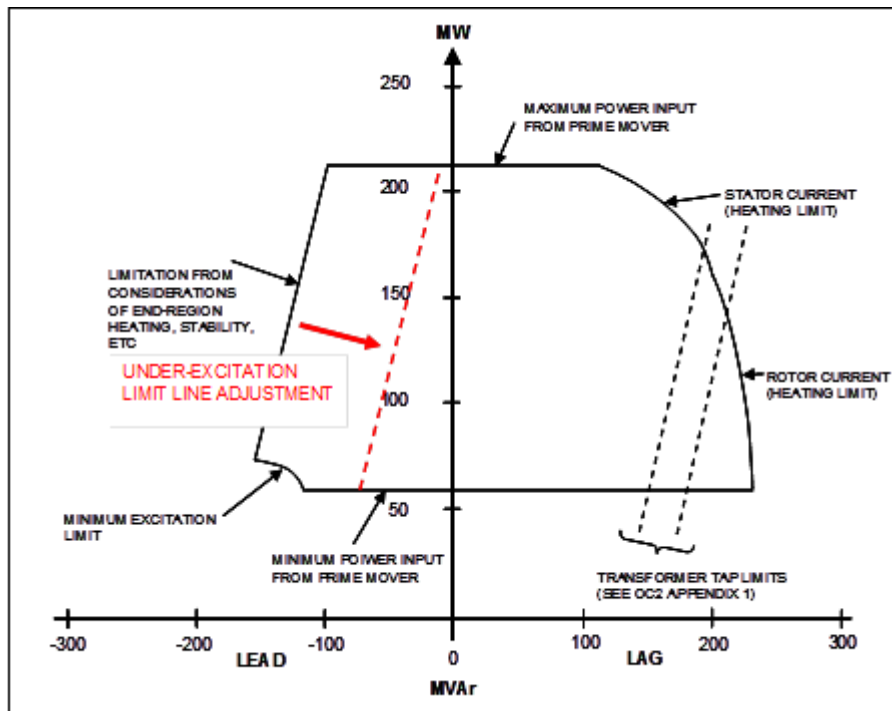


Figure B.1 Example of reducing UEL setting for functionality test

When the generator is operating near the UEL limit the stability margin is less than when it is operating at unity power factor. For safety, a preliminary set of tests are specified below with the UEL limit moved towards unity power factor line. If the preliminary tests are successful, then the UEL limit is moved to its design position and the tests are repeated.

The UEL action should be initiated by injecting a negative voltage step of -2% into the AVR voltage reference, with the generator initially operating near the UEL limit. The test procedure given below details the step injection method.

It may prove beneficial to perform an optional test with the PSS off, to understand the interaction between the PSS and limiter.

In addition, it is also useful to demonstrate the UEL control action by tapping the generating unit transformer to move the output of the unit into the limiter.

An outline test procedure is provided in ECP.A.5.5.5 to assist Generators in drawing up their own site specific procedures for the NGENSO witnessed PSS Tests although NGENSO will be happy to consider an alternative test procedure suggested by the Generator.

Over Excitation Limiter (OEL) Testing

The action of an OEL differs from that of an UEL so the OEL test requirements are normally discussed with NGENSO prior to testing in order to establish a sensible test procedure, appropriate to the control system design.

NGESO are particularly interested in ensuring the OEL is set as high as possible, whilst ensuring the machine design limits are not breached and that the machine protection will not operate before or whilst the OEL is active.

The OEL action is typically initiated by injecting a +2% to +10% positive voltage step into the AVR voltage reference. The OEL would normally be set at the maximum value within the design limit for the generating unit. Excitation at OEL setting is well above excitation at rated MVA. For this reason, the test is not typically carried out at the OEL setting. For the test, the OEL setting is typically reduced to a level equivalent to the maximum rated MVA position, i.e. rated MVA and maximum lagging MVar. A positive step is then applied to the AVR Voltage reference or the generating unit step-up transformer is tapped to take the MVar output higher. If the OEL is working correctly, the OEL should operate after sufficient time delay to bring back the excitation within limits.

The steady state accuracy of the limit level and any overshoot are of particular interest, as the Generator and NGENSO may need to determine the limit level once the setting is restored and ensure that any protection does not operate.

If the OEL has multiple levels to account for heating effects, an explanation of this functionality will be necessary and if appropriate, a description of how this can be tested.

An outline test procedure is provided in ECP.A.5.6.3 to assist Generators in drawing up their own site specific procedures although NGENSO will be happy to consider an alternative test procedure suggested by the Generator.

Appendix C Frequency Control

Summary of Requirements

The National Electricity Transmission System is an island network with no AC connections to mainland Europe. In order to manage the system frequency within the normal operating range of 49.5 to 50.5Hz (ECC.6.1.2), NGENSO requires generating units and power park modules to be able to continuously modulate their output in relation to frequency across this range. In order to maintain a stable system frequency, it is important that response from plant is achieved without undue delay.

The Grid Code sets out Frequency Control requirements in a number of separate places, notably the Glossary & Definitions (GD), the Connection Conditions (ECC) and Balancing Code (BC3). This section summarises the key requirements.

GD of the Grid Code defines Primary, Secondary and High frequency response including the requirement that the response is progressively delivered with increasing time.

ECC.6.3.3 of the Grid Code specifies that each generating unit must be capable of maintaining a minimum level of active power (see Figure 2 of ECC.6.3.3 in the frequency range 49.5Hz to 50.5Hz).

ECC.6.3.7 of the Grid Code specifies the minimum frequency control capability, in particular the frequency control must be:

- Stable over the entire operating range from 47Hz to 52Hz.
- Able to contribute to controlling the frequency on an islanded network to below 52Hz.
- Capable of a frequency droop of between 3 and 5%.
- Capable of providing frequency control against a target set in the range of 49.9Hz and 50.1Hz.
- Have a frequency control dead band of less than ± 0.015 Hz.
- Capable of delivering a minimum level of frequency response.
- Able to operate in limited Frequency Sensitive Mode (LFSM) both Over and Under Frequency.

The Grid Code Figure ECC.A.3.1 specifies a minimum requirement for frequency response of 10% of Registered Capacity achievable for Primary Secondary and High Frequency response. This minimum value is designed to ensure that plant provides a suitable contribution to maintain frequency correction when connected to the system and selected to Frequency Sensitive Mode (FSM) and response capability in excess of 10% is encouraged.

The speed of response is an important criterion and the Grid Code Figures ECC.A.3.2 and ECC.A.3.3 indicate typical responses from plant with no delay in response from the start of the frequency deviation. Practically there is a permissible deadband and NGENSO accepts a delay of up to but not exceeding 2 seconds before measurable response is seen from a generating unit in response to a frequency deviation.

BC3 of the Grid Code specifies how plant should be operated and instructed to provide frequency response. The section also sets out the requirements on how all plant should respond to the system frequency rising above 50.4/50.5Hz, by progressively reducing output power.

Details of the tests required for the preliminary and main governor response tests are provided in ECP.A.5.8.4 but additional guidance is provided in this Appendix including outline test procedures.

Modes of Frequency Control Operation

Balancing Code (BC3) of the Grid Code defines operation in Limited Frequency Sensitive Mode and Frequency Sensitive Mode. The ability to operate in Limited Frequency Sensitive Mode for over frequency applies to all Type B, Type C and Type D Power Generating Units

Limited Frequency Sensitive Mode – Underfrequency (LFSM-U) is used when not instructed by NGENSO to provide Frequency Response Services. In this mode, the generating module is not required to provide any increase in active power output if frequency reduces below 50Hz and is only required to maintain active power output in accordance with ECC.6.3.3. However, the Power Plant is required to respond to low frequencies below 49.5Hz beyond which the Module must increase the active power output by a minimum of 2% of output for every 0.1Hz drop below 49.5 Hz (see figure C1). This is not an Ancillary Service, it is a Connection Conditions requirement for all generators which have this capability. The generating units are not expected to operate in inefficient manner solely to deliver LFSM-U. Only units with inherited ability need to comply.

Active Power Frequency response capability of when operating in LFSM-U

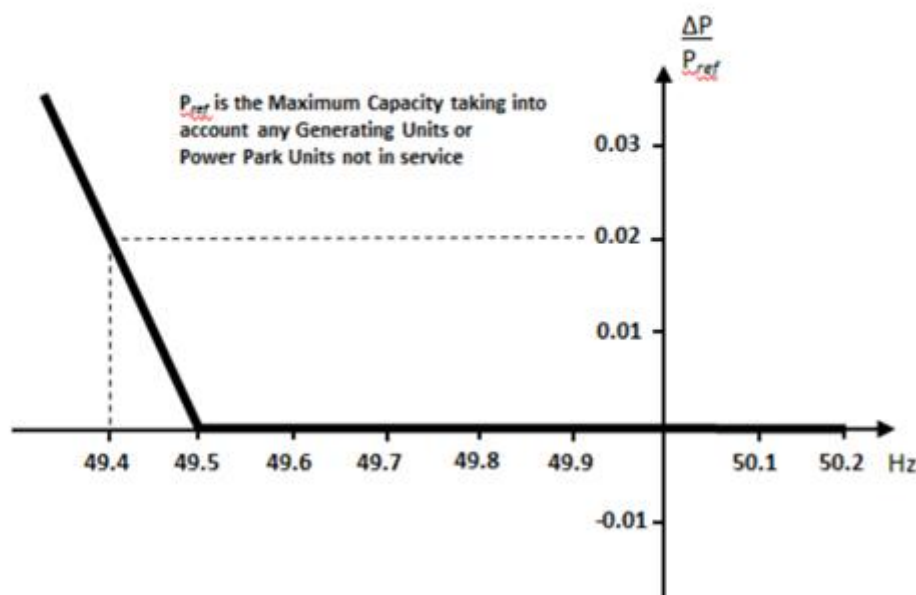


Figure C.1 – Limited Frequency Sensitive Mode LFSM-U

Limited Frequency Sensitive Mode – Overfrequency (LFSM-O) is used when not instructed by NGENSO to provide Frequency Response Services. In this mode, the generating module is not required to provide any decrease in active power output if frequency increases above 50Hz and is only required to maintain active power output in accordance with ECC.6.3.3. However, the Power Plant is required to respond to high frequencies above 50.4Hz beyond which the Module must decrease the active power output by a minimum of 2% of output for every 0.1Hz rise above 50.4Hz (see figure C2). This is not an Ancillary Service it is a connection condition requirement.

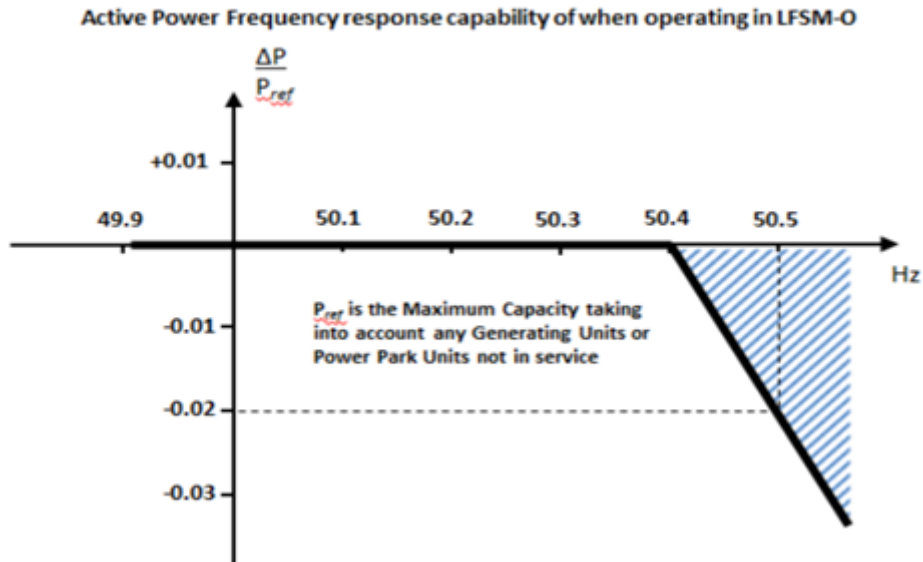


Figure C.2 – Limited Frequency Sensitive Mode LFSM-O

Frequency Sensitive Mode is used when selected to provide frequency response services. In this mode, the synchronous module must adjust the active power output in response to any frequency change according to the agreed droop characteristic (between 3-5%). For the purposes of the Mandatory Services Agreement the frequency response performance is measured in terms of the response achieved after a given duration. When system frequency exceeds 50.5Hz the requirements of Limited Frequency Sensitive Mode apply so that the Generating Module must further reduce output by a minimum of 2% of output for every 0.1Hz rise above 50.5Hz).

Governor / Load Controller

The correct design and coordination of the governor and load controller (or module controller in the case of a Combined Cycle Gas Turbine (CCGT) plant) has been an important issue in compliance of the Grid Code and Mandatory Services requirements. The design details are site specific and there are many ways of meeting the requirements. This section helps to focus on the control issues and gives a simple description on the functional requirements which will help plant designers to appreciate the control needs.

Target Frequency

If a generating unit is required to have a Frequency control device as specified in ECC.6.3.7. It must also have the facility to accept and act upon Target Frequency instruction from NGENSO. In order to adjust electric clock time the Grid Operator may instruct settings of 49.95Hz or 50.05Hz. However, under exceptional circumstances, the instructed settings could be outside this range. A minimum setting range from 49.90Hz to 50.10Hz is required.

Where there is concern on the implementation of this function a test may be suggested where target frequency is adjusted and the effect on active power output of the generating unit is recorded.

Operating Configurations

Figure C.3 shows a simplified schematic diagram of a governor/load controller for a gas turbine. The same control concept applies to conventional thermal plant and CCGTs. With the appropriate setting of the Auto/Manual and Frequency Compensated switches, three basic operating configurations (Figures C..4A, C.4B and C.4C) can be obtained.

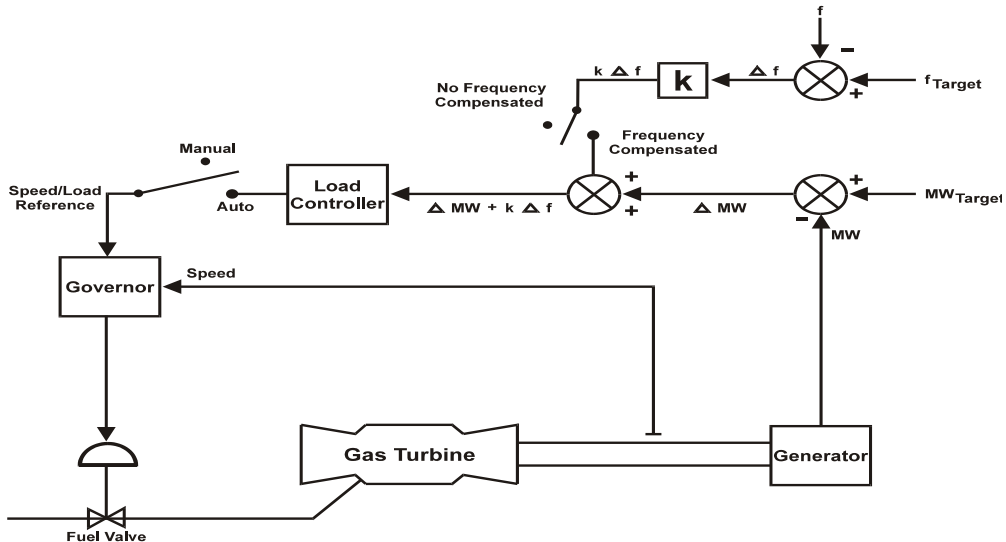


Figure C.3 Schematic Diagram of Gas Turbine Governor / Load Controller

Configuration 'A' (Figure C4A) corresponds to manual governor operation and the generator output can be altered by manually adjusting the speed/load reference setting. This operating configuration is unacceptable since the target frequency setting is unavailable and the secondary response is unreliable (Figure C3) and does not meet the Grid Code/Mandatory Services requirements.

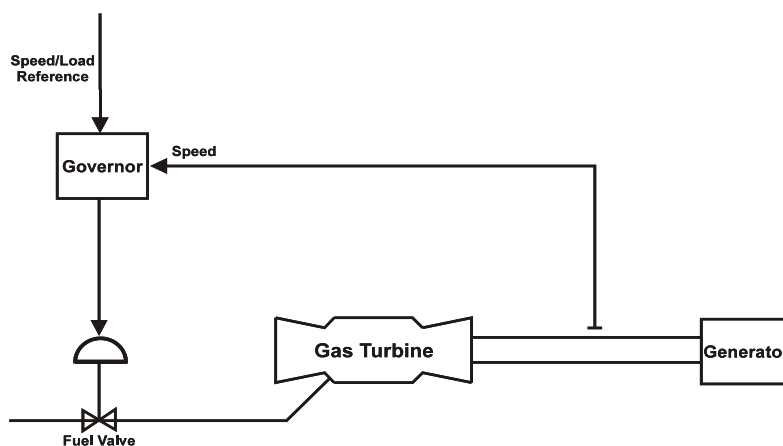


Figure C.4A Governor without Load Controller

Configuration 'B' (Figure C.4B) corresponds to automatic governor and load control. This configuration is unacceptable because of the unavailable target frequency facility and the unsustainable Secondary and High frequency responses (Figure C.3).

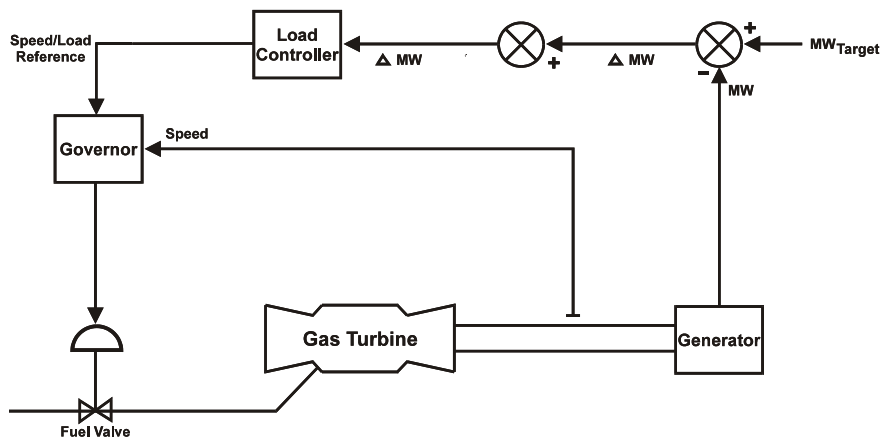


Figure C.4B Governor with MW Target Correction

Configuration 'C' (Figure C.4C) corresponds to an automatic governor with frequency compensated load control. This configuration satisfies both the Grid Code and Mandatory Services requirements.

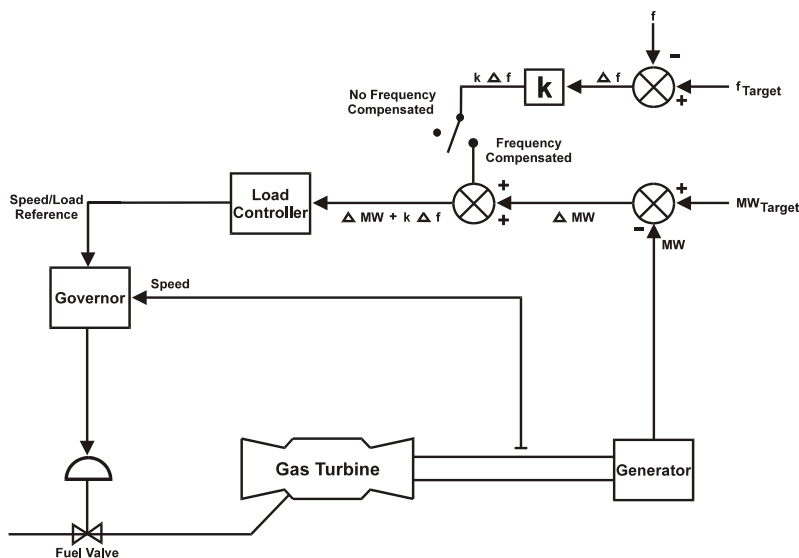


Figure C.4C Governor with Frequency Compensated MW Target Correction

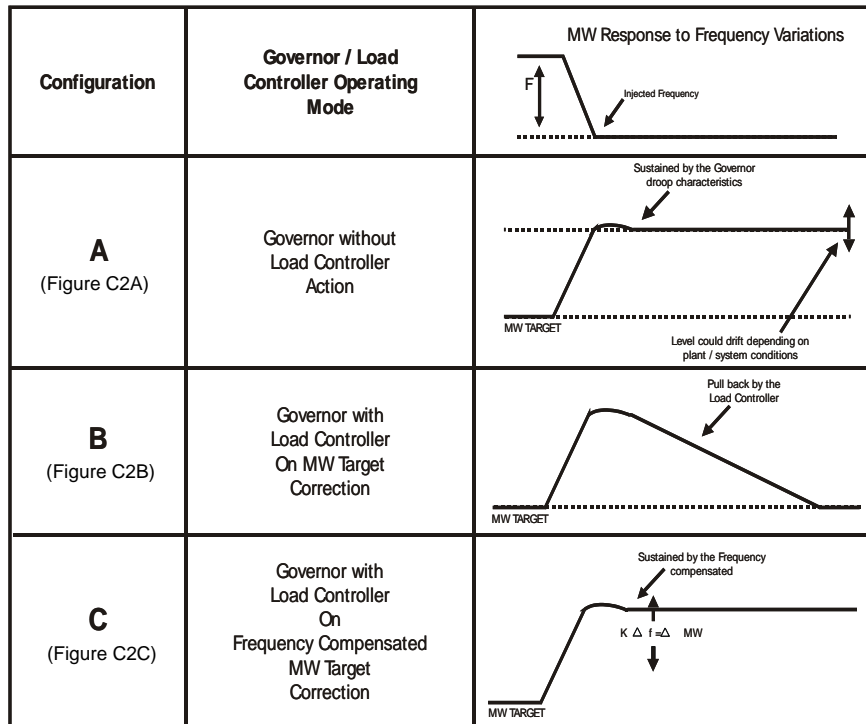


Figure C.5 Effect of Governor / Load Controller Configuration on Plant Response

Mechanical Flyball Governors

Pre-vesting (ex CEGB) conventional plant was originally designed using mechanical flyball governors. The governor acts directly on the primary relay to increase the governor oil pressure and hence open the governor valve. At the same time the load controller demands an increase in oil pressure by controlling the speeder gear motor.

In order to facilitate frequency response deviations correctly the variation will have to be injected to both the inner (flyball governor) and outer (load controller) control loops. Injecting a frequency deviation signal into a flyball governor is difficult but a response has been achieved by manually turning a handwheel. The effect of the handwheel on the output of the unit will need to be understood by the Generator prior to the tests to calibrate the response.

Coordination of the speeder gear and handwheel operation allows the correct implementation of the specified frequency changes into both control loops and successful frequency response tests have been achieved by this method.

Maintaining output with falling Frequency

For Limited Frequency Sensitive Operation, as specified in ECC.6.3.7.1 and ECP.A.5.9 the output of the generator must achieve the ECC.6.3.3 requirement up to 50.4Hz above which a minimum power reduction rate of 2% per 0.1Hz must be achieved. Below 50Hz and to 49.5Hz the generating unit is required to maintain output without influence from the reduction in system frequency.

Below 49.5Hz the output is permitted to reduce but only at a rate not greater than pro-rata with the falling frequency. For example, a 1% fall in system frequency up to a 1% reduction in output is permissible. In an event when the system frequency drops to 47Hz, the MW output must not drop by more than 5%.

As specified in the ECC.6.3.3.1 minimum requirement applies up to ambient temperature of 25°C. Above this temperature any special measures employed to maintain the power output at 25°C, need to be kept in service, but the minimum requirement set out in ECC.6.3.3 should not be achieved.

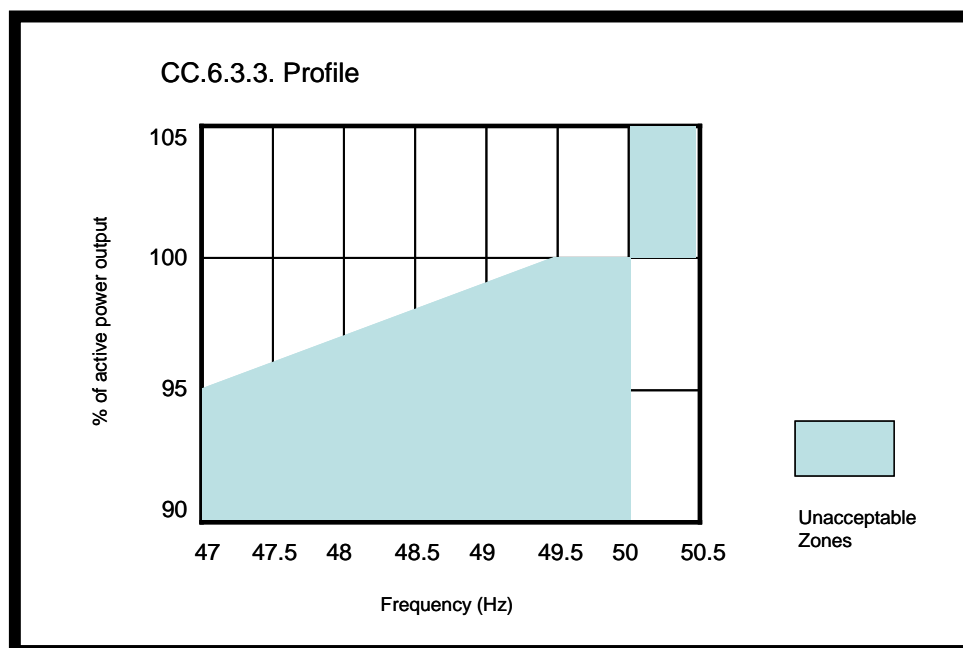


Figure C.6 Profile Indicating Unacceptable Zones.

NGESO will require the User to demonstrate a generator unit performance in accordance with the above requirements. This should comprise providing suitable information prior to the connection of the generating unit in support of a Grid Code compliant design strategy, demonstration of capability where possible with functionality testing and ongoing continuous monitoring of performance.

The User will need to supply NGESO with information relating to the plants MW output, speed and ambient temperature performance characteristics and the relevant design methodology employed within the control system, to ensure the necessary correction to the plant output to meet the ECC.6.3.3 and ECC.6.3.7.1.3 requirements.

Following design of the control system, the User will propose and agree a test procedure with NGESO, which will demonstrate how the plant output power responds to changes in system frequency and ambient conditions (e.g. by frequency and temperature injection methods). This functionality test should be included in a test procedure. On satisfactory conclusion of the above, NGESO would consider the Users plant to be compliant.

As part of the ongoing monitoring provision set out in ECC.6.6 the performance of a generating unit can be monitored by NGENSO to confirm compliance with the Grid Code. Where a significant frequency incident occurs or NGENSO suspects the performance of a generating unit is not maintaining compliance with ECC.6.3.3 the Generator may be asked to provide NGENSO with output data from its generating units. NGENSO will discuss any concerns with the User as part of the normal and ongoing liaison process.

Compliance Testing Requirements

The main objectives of the governor/load controller response tests are to establish the plant performance characteristics for compliance with the Grid Code technical requirements (including the validation of plant data/models). They are also required to derive a set of reliable plant response values that will form the basis of response matrices for the Mandatory Services Agreement.

It is required that a complete module is tested under normal operating mode (i.e. combined cycle) with the Gas Turbine Inlet Guide Vane (IGV) Control in operation. A frequency disturbance can be simulated by injecting the required frequency variation signals to both the governor speed reference point and the load controller target frequency set point (See Figure C.4). An overview of the generic test sequence is described in C.6. The test procedures are designed to be flexible to accommodate possible site operating conditions. However, any variations have to be agreed with NGENSO.

If a CCGT station has more than one identical module, all tests will be carried out on one of the complete modules. It is an option to reduce the testing requirements on any subsequent units within the same power station where practical. It will be acceptable to use the test derived matrices to cover the other modules if they have the same design and control characteristics.

Signals should be raw i.e. taken directly from a transducer or signal source. Should there be any problem; NGENSO should be informed immediately.

Dual Fuelled and Bio-Fuelled Power Stations

For any power stations, including CCGT, which are capable of running on alternative fuels, additional governor response tests will be required to demonstrate performance when running on these fuels. Depending on plant design, detailed tests will be agreed between NGENSO and the User at the early stage of the compliance process. This could be a subset of the full set of tests

A power station that runs on bio-fuel all the time and large enough to require frequency response performance, should undergo the full set of governor tests shown in ECP.A.5.8.3. If bio-fuel is used as a supplement to the main fuel, then the tests are necessary if the frequency response performance change. This could be a subset of the tests indicated in ECP.A.5.8.3 and will be agreed between NGENSO and the User

Test Following DCS Replacement

If the DCS (Distributed Control System) of an existing plant is replaced it will be necessary to do some frequency response testing following such replacement to confirm there has been no adverse impact on the previously tested performance. Assuming that there is no major change to response delivery, this could be a subset of the tests indicated in ECP.A.5.8 and should be discussed and agreed with NGENSO prior to testing. If the response of the unit has been changed then the full set of response tests will be required.

Tests for CC.6.3.3 functionality

Where additional action is taken to maintain output compliant with ECC.6.3.3 the manufacturers should propose tests that demonstrate the functionality by injection of a falling frequency into the control system. Where possible the generating unit control should be adjusted to simulate action as if the ambient conditions are 25°C. Where different control functionality acts at different levels of falling frequency separate injections should be proposed to demonstrate each separate functionality.

Where the functionality involves overfiring of the plant to achieve compliance it is permissible to limit the extent of overfiring to limit the adverse effects on the plant. This is explained in the test procedure and the level of response with limited overfiring is identified in advance.

Preliminary Frequency Response Testing

Past experience has demonstrated that significant delays can occur during testing because of problems associated with the governor/load controller set up or frequency injection method. Frequently this results in considerable lost time and additional expense for both parties. Consequently, this test has been drawn up and has been shown to help in preventing such situations arising.

Typical injection locations at the governor and load controller are shown in Figure C.7. In order to avoid the risk of re-testing, it is important that the injection method and the plant control are proved well in advance of the main tests by the station or site contractor. A preliminary test is therefore required to demonstrate that the plant responds in a generally correct manner and that the frequency injections can be made correctly.

At all times and for all tests, the target frequency selected on the generating plant is that instructed by the NGENSO Control Centre. This should normally be 50.00Hz but may occasionally be set slightly high or low to correct electric clock time errors.

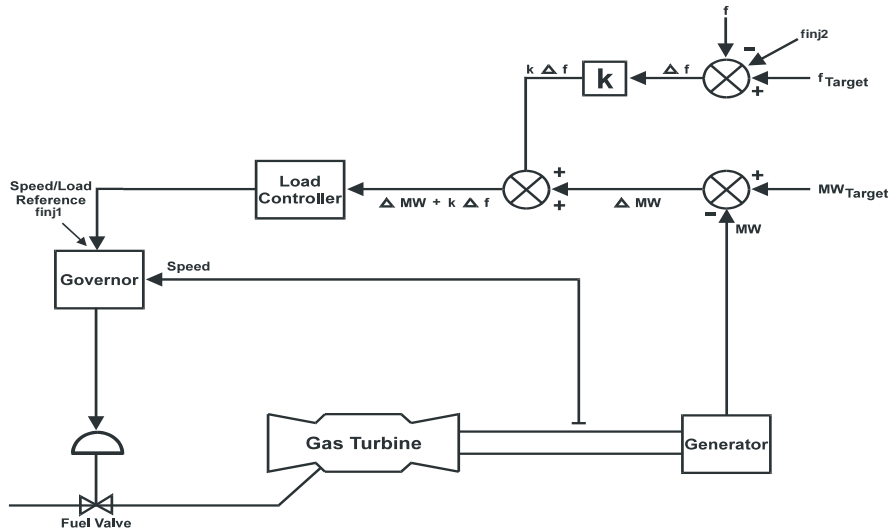


Figure C.7 Governor with Frequency Compensated MW Target Correction

Tests are applied as ramp injections over 10 seconds, 1 second or as step injections depending upon the particular test. In addition, there are profile tests which aim to simulate the effect on the system frequency of a large loss. The simple ramp and more complex profile injection with multiple stages required for the preliminary frequency response tests are indicated in the diagram below.

The generic preliminary frequency response procedure is given in ECP.A.5.8.4 and in the following table.

Preliminary Frequency Response Tests		
Test No	Frequency Injection	Notes
8	<ul style="list-style-type: none"> Inject -0.50Hz frequency fall over 10 sec Hold for a further 20 sec At 30 sec from the start of the test, Inject +0.30Hz frequency rise over 30 sec Hold until conditions stabilise Remove the injection signal as a ramp over 10 seconds 	
13	<ul style="list-style-type: none"> Inject -0.50Hz frequency fall over 10 sec Hold until conditions stabilise Remove the injection signal as a ramp over 10 seconds 	

14	<ul style="list-style-type: none"> Inject +0.50Hz frequency rise over 10 sec Hold until conditions stabilise Remove the injection signal as a ramp over 10 seconds 	
H	<ul style="list-style-type: none"> Inject -0.50Hz frequency fall as a stepchange Hold until conditions stabilise Remove the injection signal as a stepchange 	
I	<ul style="list-style-type: none"> Inject +0.50Hz frequency rise as a stepchange Hold until conditions stabilise Remove the injection signal as a stepchange 	

The preliminary test results should be sent to NGENSO for assessment at least two weeks prior to the final witnessed tests.

National Grid ESO Witnessed Frequency Response Testing Schedule

Grid Code ECP.A.5.8.8. Figure 1 and Figure 2 give the ramps and step frequency injection tests required at different loading levels (i.e. MLP6 to MLP1). The corresponding test sequence is outlined below with the initial test establishing the maximum steady state output condition of the plant (i.e. MLP6). A full generic procedure is provided in Appendix 0 as an example.

1. **Establish Maximum Plant Capacity as Loading Point MLP6**
 - (a) Switch GT governors to manual and raise load demand to confirm the maximum output level at the base settings.
 - (b) Record plant and ambient conditions.

2. **Response Tests at Loading Point MLP6 (Maximum Output)**
 - (a) Operate the plant at MLP 6
 - (b) Inject ramp/profiled frequency changes simultaneously into the GT governor and load controller (i.e. Tests 1-4 in ECP.A.5.8.8 Figure 1) and record plant responses.
 - (c) Inject the calculated frequency change simultaneously into the GT governor and load controller to simulate the load rejection (i.e. Tests BC1 in ECP.A.5.8.8 Figure 2) and record plant responses.
 - (d) Inject ramp rise in frequency over 30 seconds simultaneously into the GT governor and load controller (i.e. Test BC2 in ECP.A.5.8.8 Figure 2) and record plant responses.

3. **Response Tests at Loading Point MLP6 (Maximum Output) in Limited Frequency Sensitive Mode (LFSM)**
 - (a) Operate the plant at MLP 6
 - (b) Inject the calculated frequency change simultaneously into the GT governor and load controller to simulate the load rejection (i.e. Tests BC3 in ECP.A.5.8.8 Figure 2) and record plant responses.

- (c) Inject ramp rise in frequency over 30 seconds simultaneously into the GT governor and load controller (i.e. Test BC4 in ECP.A.5.8.8 Figure 2) and record plant responses.
4. **Response Tests at Loading Point MLP5 (0.95 Maximum Output)**
- (a) Operate the plant at MLP5.
 - (b) Conduct tests 5-7 as shown in ECP.A.5.8.8 Figure 1 and record plant responses.
 - (c) Conduct test A as shown in ECP.A.5.8.8 Figure 2 to establish the robustness of the control system under simulated extreme disturbances (as could occur under system islanding or system split conditions).
5. **Response Tests at Loading Point MLP4 (0.8 Maximum Output)**
- (a) Operate the plant at loading point 4 (MLP 4).
 - (b) Conduct tests 8-14 as shown in ECP.A.5.8.8 Figure 1 and record plant responses.
 - (c) Conduct tests D - I as shown in ECP.A.5.8.8 Figure 2 to establish the GT dead band, and step response characteristics for governor modelling purposes.
 - (d) Conduct test J as shown in Figure 2 to establish the robustness of the control system under simulated extreme disturbances (e.g., system islanding or system split).
6. **Response Tests at Load Point MLP3 (0.7 Maximum Output)**
- (a) Operate the plant at MLP3.
 - (b) Conduct tests 15 to 17 as shown in ECP.A.5.8.8 Figure 1 and record plant responses.
7. **Response Tests at Minimum Stable Operating Level MLP2 (MSOL)**
- (a) Operate the plant at MG.
 - (b) Conduct tests 18 - 22 as shown in ECP.A.5.8.8 Figure 1 and record plant responses.
8. **Response Tests at Designed Minimum Regulating Level MLP1 (MRL)**
- (a) Operate the plant at MRL.
 - (b) Conduct tests 23 - 26 as shown in ECP.A.5.8.8 Figure 1 and record plant responses.
 - (c) Conduct test K as shown in ECP.A.5.8.8 Figure 2 to establish the step response characteristics for governor modelling purposes.

Generic Governor Frequency Response Test Procedure

Since the governor response tests described above are to be arranged and conducted by the Generator, it is their responsibility to propose a test programme to suit their site-specific requirements. A typical example of the test procedure based on ECP.A.5.8.8 Figures 1 and 2 is given below. This procedure is required to be submitted to NGENSO for approval before an ION is issued.

Initial Checks on Maximum Plant Capability at MLP6, Plant in LFSM	
Step	Actions
	<ul style="list-style-type: none"> Record plant MLP 6 condition including levels for GT's and ST and module MW output, ambient temperature, governor control signals and steam conditions. Change GT governor control to manual and increase output power demand to maximum. Record plant conditions when plant is thermally Stabilised. Reset governor to normal operating mode and allow MLP 6 condition to be established

Injection Tests at MLP6, Plant in FSM			
Test No.	Action	Frequency Injection	Notes
1	<ul style="list-style-type: none"> Inject 0.10Hz frequency rise over 10 sec Hold until conditions stabilise³ Remove the injection signal over 10 sec Hold until conditions stabilise at MLP 6 	+0.10Hz -0.10Hz	
2	<ul style="list-style-type: none"> Inject -0.20Hz frequency fall over 10 sec Hold until conditions stabilise³ Remove the injection signal over 10 sec Hold until conditions stabilise at MLP 6 	-0.20Hz +0.20Hz	
3	<ul style="list-style-type: none"> Inject 0.20Hz frequency rise over 10 sec Hold until conditions stabilise³ Remove the injection signal over 10 sec Hold until conditions stabilise at MLP 6 	+0.20Hz -0.20Hz	
4	<ul style="list-style-type: none"> Inject 0.50Hz frequency rise over 10 sec Hold until conditions stabilise³ Remove the injection signal over 10 sec Hold until conditions stabilise at MLP 6 	+0.50Hz -0.50Hz	
BC1	<p><u>Plant in FSM</u></p> <ul style="list-style-type: none"> Inject +2.0* Hz frequency rise over 1 sec Hold until conditions stabilise Remove the injection signal Hold until conditions stabilise at MLP 6 	+2.0 Hz * -2.0 Hz	Part of functionality test for islanding ECC.6.3.7

O	<p><u>Plant in FSM</u></p> <ul style="list-style-type: none"> Inject +0.5 Hz frequency rise as a step change Hold until conditions stabilise Remove the injection signal Hold until conditions stabilise at MLP 6 	+0.5 Hz -0.5 Hz	To assess step response characteristics of plant
BC2	<p><u>Plant in FSM</u></p> <ul style="list-style-type: none"> Inject +0.6 Hz frequency rise over 30 sec Hold until conditions stabilise Remove the injection signal Hold until conditions stabilise at MLP 6 	+0.6 Hz -0.6 Hz	Part of functionality test for BC.3.7.1
L	<p><u>Plant in FSM</u></p> <ul style="list-style-type: none"> Record normal system variation in frequency and active power of the generating unit over at least 10 minutes. Load setpoint at maximum. 	No injection	Check for live frequency measurement See Note 1
Switch to Limited Frequency Sensitive Mode			
BC3	<p><u>Plant in LFSM</u></p> <ul style="list-style-type: none"> Inject +2.0* Hz frequency rise over 1 sec Hold until conditions stabilise Remove the injection signal Hold until conditions stabilise at MLP 6 	+2.0 Hz -2.0 Hz	Part of functionality test for islanding CC.6.3.7 (c)(i)
BC4	<p><u>Plant in LFSM</u></p> <ul style="list-style-type: none"> Inject +0.6 Hz frequency rise over 30 sec Hold until conditions stabilise Remove the injection signal Hold until conditions stabilise at MLP 6 	+0.6 Hz -0.6 Hz	Part of functionality test for BC.3.7.2

* This will generally be +2.0Hz unless an injection of this size causes a reduction in plant output that takes the operating point below Designed Minimum Operating Level in which case an appropriate injection should be calculated in accordance with the following:

For example 0.9Hz is needed to take an initial output 65% to a final output of 20%. Calculation of the injected step should be as shown in the example given below

Initial Output	65%
Designed Minimum Operating Level	20%
Frequency Controller Droop	4%
Frequency to be injected = $(0.65-0.20) \times 0.04 \times 50 =$	0.9Hz

Injection Tests at MLP 5, Plant in FSM			
5	<ul style="list-style-type: none"> Inject -0.50Hz frequency fall over 10 sec Hold for 20 sec 	-0.50Hz	
	<ul style="list-style-type: none"> Inject 0.30Hz frequency rise over 30 sec Hold until conditions stabilise³ 	+0.30Hz	
	<ul style="list-style-type: none"> Remove the injection signal over 10 sec Hold until conditions stabilise at MLP 5 	+0.20Hz	
6	<ul style="list-style-type: none"> Inject 0.20Hz frequency fall over 10 sec Hold until conditions stabilise³ 	-0.20Hz	
	<ul style="list-style-type: none"> Remove the injection signal over 10 sec Hold until conditions stabilise at MLP 5 	+0.20Hz	
7	<ul style="list-style-type: none"> Inject 0.50Hz frequency rise over 10 sec Hold until conditions stabilise³ 	+0.50Hz	
	<ul style="list-style-type: none"> Remove the injection signal over 10 sec Hold until conditions stabilise at MLP 5 	-0.50Hz	
A	<ul style="list-style-type: none"> Inject 1.0Hz/sec frequency fall over 2 sec Hold until condition stabilise 	-2.0Hz	To assess plant performance under islanding and system split Conditions
	<ul style="list-style-type: none"> Remove the injection signal over 2 sec Hold until conditions stabilise at MLP 5 	+2.0Hz	

Injection Tests at MLP 4, Plant in FSM			
8	<ul style="list-style-type: none"> Inject -0.50Hz frequency fall over 10 sec Hold for 20 sec 	-0.50Hz	
	<ul style="list-style-type: none"> Inject 0.30Hz frequency rise over 30 sec Hold until conditions stabilise³ 	+0.30Hz	
	<ul style="list-style-type: none"> Remove the injection signal over 10 sec Hold until conditions stabilise at MLP 4 	+0.20Hz	
9	<ul style="list-style-type: none"> Inject -0.10Hz frequency fall over 10 sec Hold until conditions stabilise³ 	-0.10Hz	
	<ul style="list-style-type: none"> Remove the injection signal over 10 sec Hold until conditions stabilise at MLP 4 	+0.10Hz	
10	<ul style="list-style-type: none"> Inject 0.10Hz frequency rise over 10 sec Hold until conditions stabilise³ 	+0.10Hz	
	<ul style="list-style-type: none"> Remove the injection signal over 10 sec 	-0.10Hz	

	<ul style="list-style-type: none"> • Hold until conditions stabilise at MLP 4 		
11	<ul style="list-style-type: none"> • Inject -0.20Hz frequency fall over 10 sec • Hold until conditions stabilise³ • Remove the injection signal over 10 sec • Hold until conditions stabilise at MLP 4 	-0.20Hz +0.20Hz	
12	<ul style="list-style-type: none"> • Inject 0.20Hz frequency rise over 10 sec • Hold until conditions stabilise³ • Remove the injection signal over 10 sec • Hold until conditions stabilise at MLP 4 	+0.20Hz -0.20Hz	
13	<ul style="list-style-type: none"> • • Inject -0.50Hz frequency fall over 10 sec • • Hold until conditions stabilise³ • • Remove the injection signal over 10 sec • • Hold until conditions stabilise at MLP 4 	-0.50Hz +0.50Hz	
14	<ul style="list-style-type: none"> • • Inject 0.50Hz frequency rise over 10 sec • • Hold until conditions stabilise³ • • Remove the injection signal over 10 sec • • Hold until conditions stabilise at MLP 4 	+0.50Hz -0.50Hz	
D	<ul style="list-style-type: none"> • Inject -0.02Hz frequency fall as a step change • Hold until conditions stabilise • Remove the injection signal • Hold until conditions stabilise at MLP 4 	-0.02Hz +0.02Hz	To assess the governor deadband
E	<ul style="list-style-type: none"> • Inject 0.02Hz frequency rise as a step change • Hold until conditions stabilise • Remove the injection signal • Hold until conditions stabilise at MLP 4 	+0.02Hz -0.02Hz	To assess the governor deadband
F	<ul style="list-style-type: none"> • Inject -0.20Hz frequency fall as a step change • Hold until conditions stabilise • Remove the injection signal • Hold until conditions stabilise at MLP 4 	-0.20Hz +0.20Hz	To assess step response characteristics of plant
G	<ul style="list-style-type: none"> • Inject 0.20Hz frequency rise as a step change • Hold until conditions stabilise • Remove the injection signal • Hold until conditions stabilise at MLP 4 	+0.20Hz -0.20Hz	To assess step response characteristics of plant
H	<ul style="list-style-type: none"> • Inject -0.50Hz frequency fall as a step change • Hold until conditions stabilise 	-0.50Hz	To assess step response

	<ul style="list-style-type: none"> Remove the injection signal Hold until conditions stabilise at MLP 4 	+0.50Hz	characteristics of plant
I	<ul style="list-style-type: none"> Inject 0.50Hz frequency rise as a step change Hold until conditions stabilise at MLP 4 Remove the injection signal Hold until conditions stabilise at MLP 4 	+0.50Hz -0.50Hz	To assess step response characteristics of plant
J	<ul style="list-style-type: none"> Inject 1.0Hz/sec frequency fall over 2 sec Hold for 30 sec Remove the injection signal Hold until conditions stabilise at MLP4 	-2.0Hz +2.0Hz	To assess plant performance under islanding and system split conditions
M	<ul style="list-style-type: none"> Record normal system variation in frequency and active power of the generating unit over at least 10 minutes 	No injection	See Note 1
<u>Plant in LFSM</u>			
BC5	<ul style="list-style-type: none"> Inject -0.50Hz frequency fall over 30 sec Hold until conditions stabilise Remove the injection signal over 30 sec Hold until conditions stabilise at MLP 4 	-0.5Hz +0.5Hz	To demonstrate LFSM-U capability.
BC6	<ul style="list-style-type: none"> Inject -1.0Hz frequency fall over 30 sec Hold until conditions stabilise Remove the injection signal over 30 sec Hold until conditions stabilise at MLP 4 	-1.0Hz +1.0Hz	To demonstrate LFSM-U capability.
N	<ul style="list-style-type: none"> Record normal system variation in frequency and active power of the generating unit over at least 10 minutes Switch plant to Frequency Sensitive Mode 	No injection	See Note 2
Injection Tests at MLP 3, Plant in FSM			
15	<ul style="list-style-type: none"> Inject -0.50Hz frequency fall over 10 sec Hold for 20 sec Inject 0.30Hz frequency rise over 30 sec Hold until conditions stabilise³ Remove the injection signal over 10 sec Hold until conditions stabilise at MLP 3 	-0.50Hz +0.30Hz +0.20Hz	
16	<ul style="list-style-type: none"> Inject 0.50Hz frequency rise over 10 sec Hold until conditions stabilise³ 	+0.50Hz	

	<ul style="list-style-type: none"> Remove the injection signal over 10 sec Hold until conditions stabilise at MLP 3 	-0.50Hz	
17	<ul style="list-style-type: none"> Inject -0.80Hz frequency fall over 10 sec Hold for 20 sec. Inject 0.30Hz frequency rise over 30 sec Hold until conditions stabilise³ Remove the injection signal over 10 sec Hold until conditions stabilise at MLP 3 	-0.80Hz +0.30Hz +0.50Hz	

Injection Tests at MLP2, Plant in FSM

18	<ul style="list-style-type: none"> Inject -0.50Hz frequency fall over 10 sec Hold for 20 sec Inject 0.30Hz frequency rise over 30 sec Hold until conditions stabilise³ Remove the injection signal over 10 sec Hold until conditions stabilise at MLP 2 	-0.50Hz +0.30Hz +0.20Hz	
19	<ul style="list-style-type: none"> Inject -0.20Hz frequency fall over 10 sec Hold until conditions stabilise³ Remove the injection signal over 10 sec Hold until conditions stabilise at MLP 2 	-0.20Hz +0.20Hz	
20	<ul style="list-style-type: none"> Inject 0.20Hz frequency rise over 10 sec Hold until conditions stabilise³ Remove the injection signal over 10 sec Hold until conditions stabilise at MLP 2 	+0.20Hz -0.20Hz	
21	<ul style="list-style-type: none"> Inject -0.50Hz frequency fall over 10 sec Hold until conditions stabilise³ Remove the injection signal over 10 sec Hold until conditions stabilise at MLP 2 	-0.50Hz +0.50Hz	
22	<ul style="list-style-type: none"> Inject -0.80Hz frequency fall over 10 sec Hold for 20 sec Inject 0.30Hz frequency rise over 30 sec Hold until conditions stabilise³ Remove the injection signal over 10 sec Hold until conditions stabilise at MLP 2 	-0.80Hz +0.30Hz +0.50Hz	

P	<ul style="list-style-type: none"> Inject -0.50Hz frequency fall as a step change Hold until conditions stabilise³ Remove the injection signal Hold until conditions stabilise at MLP 2 	-0.50Hz +0.50Hz	To assess step response characteristics of plant
Q	<ul style="list-style-type: none"> Inject 0.50Hz frequency rise as a step change Hold until conditions stabilise³ Remove the injection signal Hold until conditions stabilise at MLP 2 	+0.50Hz -0.50Hz	To assess step response characteristics of plant

Injection Tests at MLP 1, Plant in FSM

23	<ul style="list-style-type: none"> Inject -0.50Hz frequency fall over 10 sec Hold for 20 sec Inject 0.30Hz frequency rise over 30 sec Hold until conditions stabilise³ Remove the injection signal over 10 sec Hold until conditions stabilise at MLP 1 	-0.50Hz +0.30Hz +0.20Hz	
24	<ul style="list-style-type: none"> Inject -0.20Hz frequency fall over 10 sec Hold until conditions stabilise³ Remove the injection signal over 10 sec Hold until conditions stabilise at MLP 1 	-0.20Hz +0.20Hz	
25	<ul style="list-style-type: none"> Inject 0.20Hz frequency rise over 10 sec Hold until conditions stabilise³ Remove the injection signal over 10 sec Hold until conditions stabilise at MLP 1 	+0.20Hz -0.20Hz	
26	<ul style="list-style-type: none"> Inject -0.80Hz frequency fall over 10 sec Hold for 20 sec Inject 0.30Hz frequency rise over 30 sec Hold until conditions stabilise³ Remove the injection signal over 10 sec Hold until conditions stabilise at MLP 1 	-0.80Hz +0.30Hz +0.50Hz	
K	<ul style="list-style-type: none"> Inject -0.5Hz frequency fall as a step change Hold until conditions stabilise Remove the injection signal Hold until conditions stabilise at MLP 1 	-0.5Hz +0.5Hz	To assess plant performance under islanding and system split conditions

Note 1: Tests L and M in OC5.A.3.6 Figure 2 shall be conducted if in this range of tests the system frequency feedback signal is replaced by the injection signal rather than the injection signal being added to the system frequency signal. The tests will consist of monitoring the generating unit and CCGT Module in Frequency Sensitive Mode during normal system frequency variations without applying any injection.

Note 2: Test N in figure 2 shall be conducted in all cases. All three tests should be conducted for a period of at least 10 minutes.

Note 3: Hold period should be at least 90 seconds to permit full assessment of response in secondary timescales.

Appendix D Test Signal Schedule and Logsheet

Compliance Test Signal Schedules

Table 1 – Synchronous AVR/PSS, UEL/OEL Limiters								
	Col 1	Col 2	Col 3	Col 4	Col 5	Col 6	Col 7	Col 8
1	Time (10ms)	Active Power	Reactive Power	Terminal Voltage	Speed /Frequency #	Freq Injection #	Logic / Test Start #	Field Voltage
	Col 9	Col 10	Col 11	Col 12	Col 13	Col 14	Col 15	Col 16
1	Field Current	PSS Output #	Noise Injection #					

Columns may be left blank but the column must still be included in the files

Table 2 – Synchronous Governor Control Systems (1. CCGT & 2. Hydro)								
	Col 1	Col 2	Col 3	Col 4	Col 5	Col 6	Col 7	Col 8
1	Time (100ms)	Active Power	Reactive Power #	Terminal Voltage #	Speed /Frequency	Freq Injection	Logic / Test Start	Fuel Demand
2								Guide Vane Setpoint
	Col 9	Col 10	Col 11	Col 12	Col 13	Col 14	Col 15	Col 16
1	Inlet Guide Vane	Exhaust Gas Temp	ST Valve Pos	Fuel Valve Pos	HP Steam Valve Pos	IP Steam Valve Pos	LP Steam Valve Pos	
2	Guide Vane Position	Head						

Columns may be left blank but must still be included in the files

Compliance Test Logsheet

Where test results are completed without any NGESO presence but are relied upon as evidence of the compliance they should be accompanied by a logsheet. This sheet should be legible, in English and detail the items as indicated in Appendix D.:

- Time and Date of test
- Name of Power Station and module if applicable.
- Name of Test engineer(s) and company name.
- Name of Customer(s) representative and company name.
- Type of testing being undertake eg Voltage Control.
- Ambient Conditions eg. Temperature, pressure, wind speed, wind direction.
- Controller settings, eg Voltage slope, Frequency droop, Voltage setpoint.

For each test the following items should be recorded as relevant to the type of test being undertaken. Where there is uncertainty on the information to be recorded this should be discussed with NGESO in advance of the test.

Voltage Control Tests

- Start time of each test step.
- Active Power.
- Reactive Power.
- Connection Voltage.
- Voltage Control Setpoint, if applicable or changed.
- Voltage Control Slope, if applicable or changed.
- Terminal Voltage if applicable.
- Generator tap position or Grid Transformer tap position, as applicable.
- Number of Power Park Units in service in each Module, if applicable.
 - For Offshore Connections
- Offshore Grid Entry Voltage.

Example Voltage Control / PSS Logsheet

Test No.	Time	Initial Conditions					Noise inj	PSS in/out	PSS Gain	Description	Saved File
		MW	MVAr	Vt	HV	Tap					

Reactive Power Capability Tests

- Start time of test.
- Active Power.
- Reactive Power.
- Connection Voltage.
- Terminal Voltage if applicable.
- Generator tap position or Grid Transformer tap position as applicable.
- Number of Power Park Units in service in each Module, if applicable.
For Offshore Connections
- Offshore Grid Entry Voltage.

Example Reactive Capability Logsheet

Test No.	Time	Initial Conditions					Description	Saved File
		MW	MVAr	Vt	HV	Tap		

Frequency Response Capability Tests

- Start time of test.
- Module Active Power.
- System Frequency.
- For CCGT modules, Active Power for the individual units (GT &ST).
- For Boiler plant, HP steam pressure.
- Droop setting of controller if applicable
- Number of Power Park Units in service in each Module, if applicable.
For Offshore Connections
- Offshore Grid Entry Point Active Power for each Power Park Module.

Example Frequency Response Logsheet

Time	Test No	Initial Conditions				Description	Saved File
		GT MW	GT MW	ST MW	Module MW		

Material changes during the test period should be recorded eg Units tripping / starting, changes to tapchange positions. Thought should be given as to whether such changes invalidate the test and a repeat test would be appropriate.

Appendix E Fault Ride Through

Summary of Grid Code Fault Ride Through (FRT) requirements

The Fault Ride Through requirement applies to Type B, Type C and Type D generating units. The details of the requirement are set out in ECC.6.3.15.1 and ECC.6.3.15.8. Every generating module is expected to remain connected and stable during fault conditions. To demonstrate this capability the user is required to provide simulation studies with 140ms (or longer if a synchronous module is subjected to Supergrid Voltage dips) fault applied to the system. The required simulated voltage changes are shown in Figures ECC.6.3.15.2 – ECC.6.3.15.7 and ECC.6.3.15.9 (a) of the European Code. The requirement and providing a Fault Ride through simulation study applies to all new units.

These requirements can be conveniently referred to in the context of two separate fault modes, A & B, which are respectively covered by ECC.6.3.15.1.1 and ECC.6.3.15.9.2 of the Grid Code, where A applies to faults lasting 140ms and B to faults in excess of 140ms. The FRT requirement for faults lasting over 140ms only applies to Type C and Type D modules.

The details of the simulation studies required can be found in ECP.A.3.5.1 section of Grid Code. The simulation studies requirement for 140ms unbalanced fault is set out in ECP.A.3.5.1 (ii) of the Grid Code. The simulation needs to be carried out at Rated MW and Maximum Leading Reactive Power. The simulation studies requirement for faults lasting longer than 140ms is set out in ECP.A.3.5.1(iii), this simulation needs to be carried out at full Active Power and unity power factor.

Appendix F Contacting National Grid

There are a number of different departments within National Grid that will be involved with this connection. The initial point of contact for National Grid will be your allocated Customer Connection Contract Manager for your Bilateral Agreement. If you are unsure of who your allocated Customer Connection Contract Manager is then the team can be contacted on transmissionconnections@nationalgrid.com.

For any correspondence relating to testing on the system following the Grid Code the IET process should be followed with notifications made to the '.Box.Tranreq' email address for England and Wales connections and '.Box.TR.Scotland' for all connections in Scotland.

Contact Address:

National Grid ESO, Faraday House, Warwick Technology Park, Gallows Hill, Warwick CV34 6DA

Faraday House, Warwick Technology Park,
Gallows Hill, Warwick, CV346DA

nationalgrideso.com

nationalgridESO