

Constraints

Catherine Winning

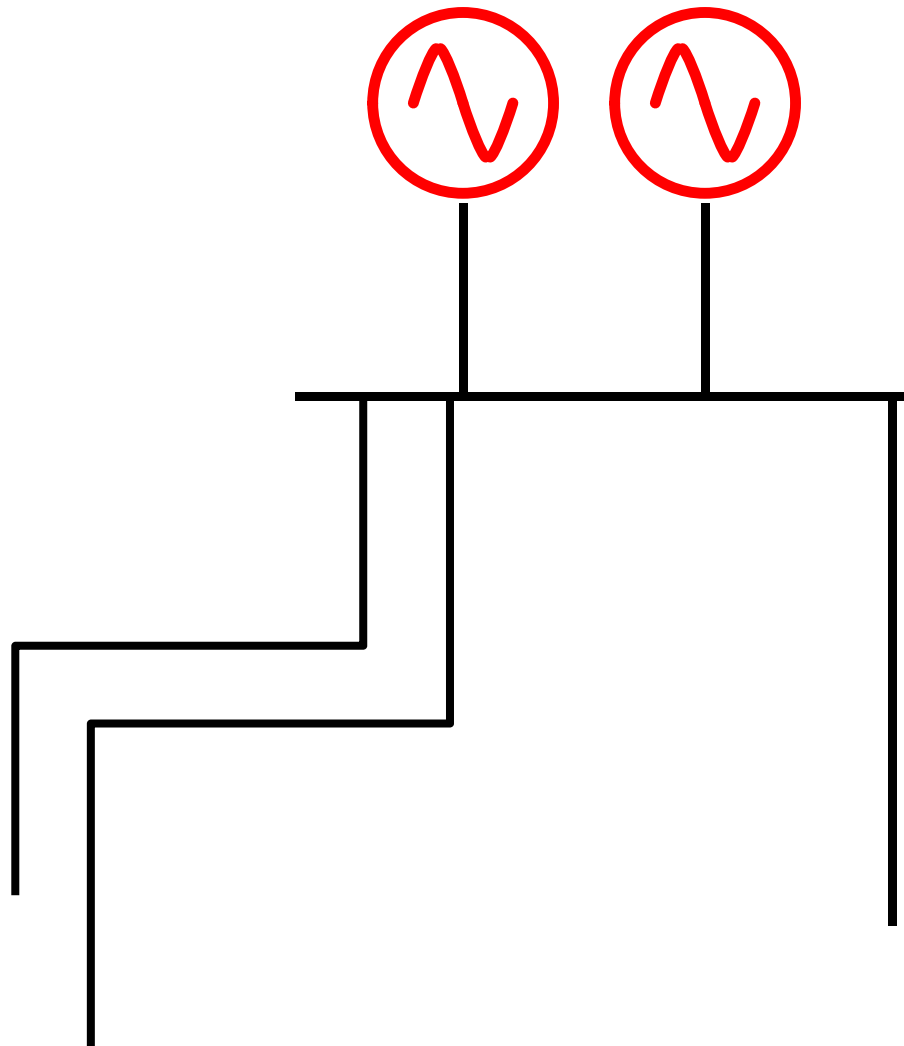
What is a Constraint?

- Stability Constraints
- Thermal Constraints
- Voltage Constraints

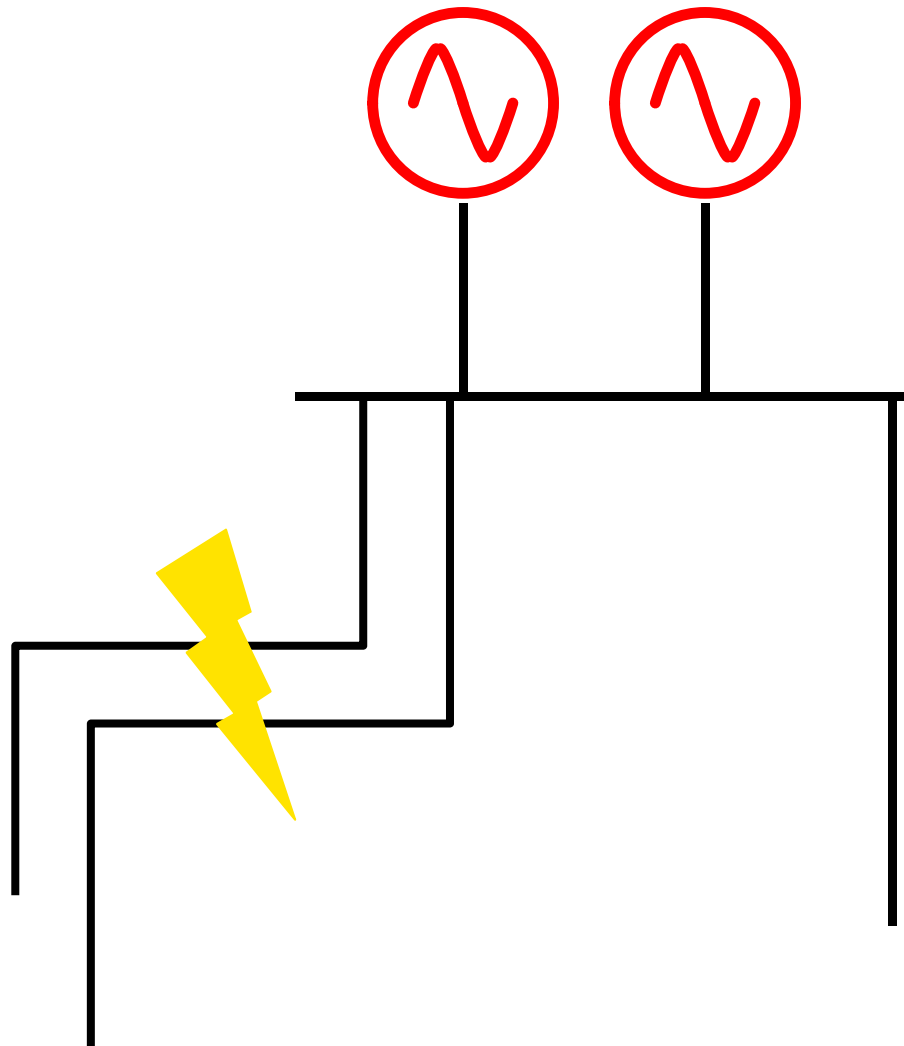
Stability Constraints



Stability



Stability



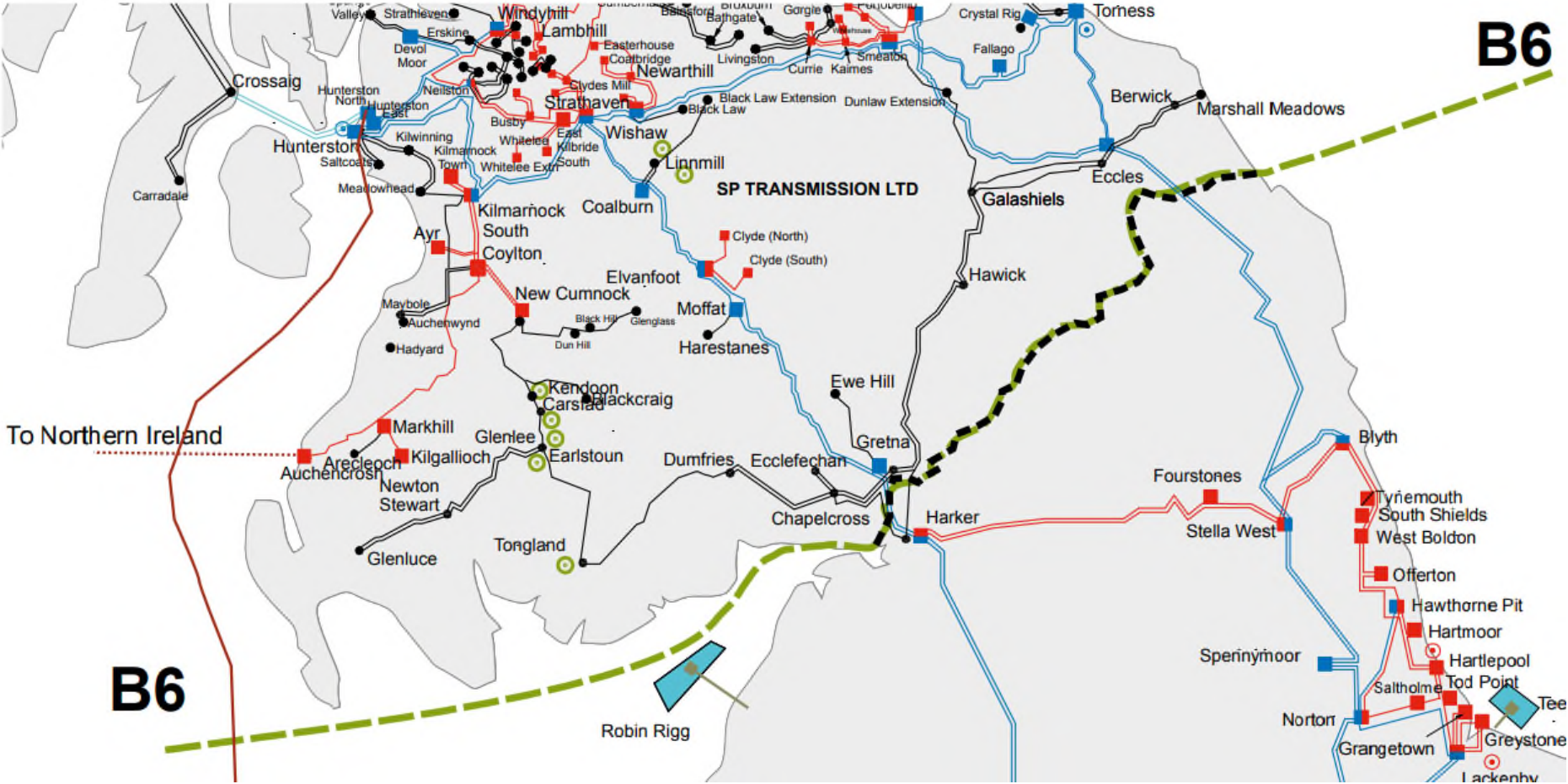
Thermal Constraints



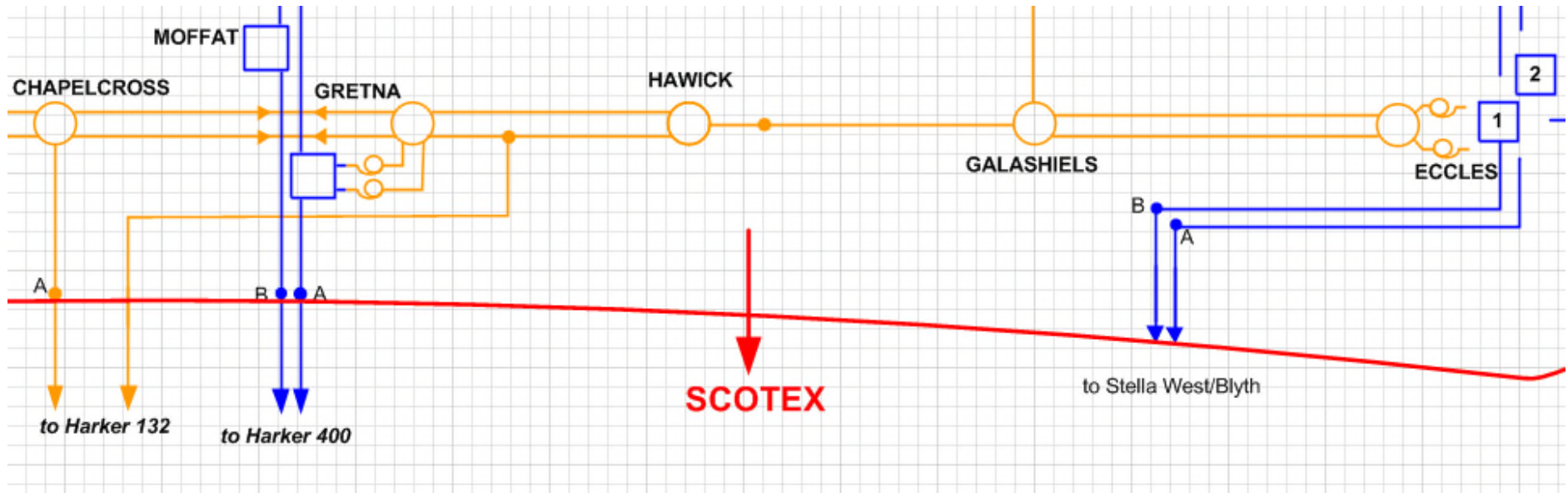
What is a Constraint?



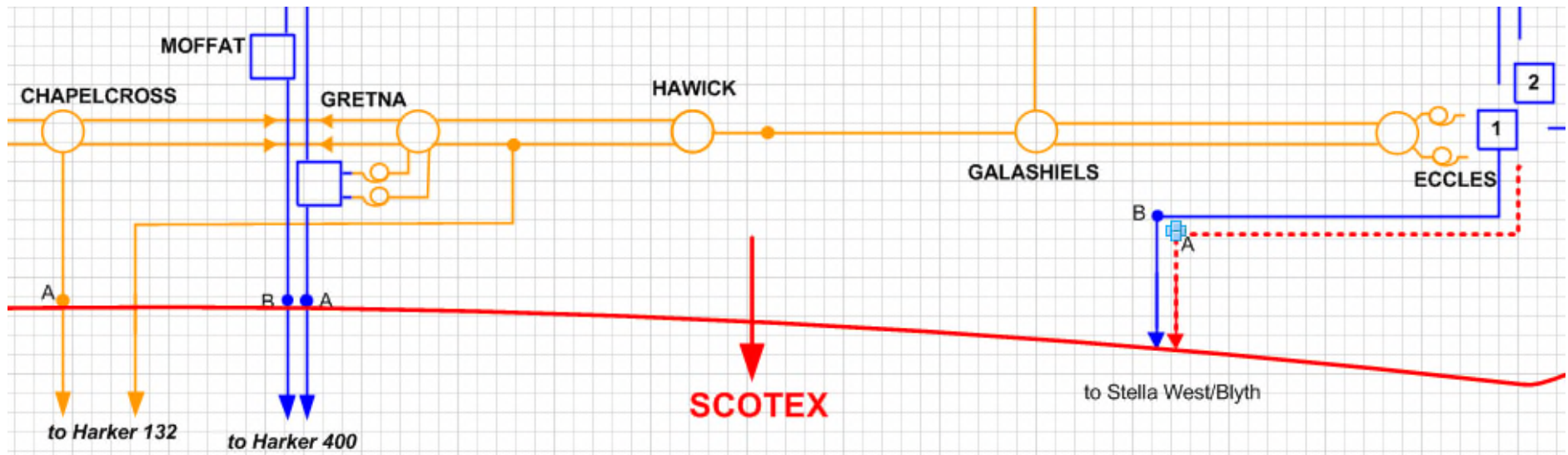
B6



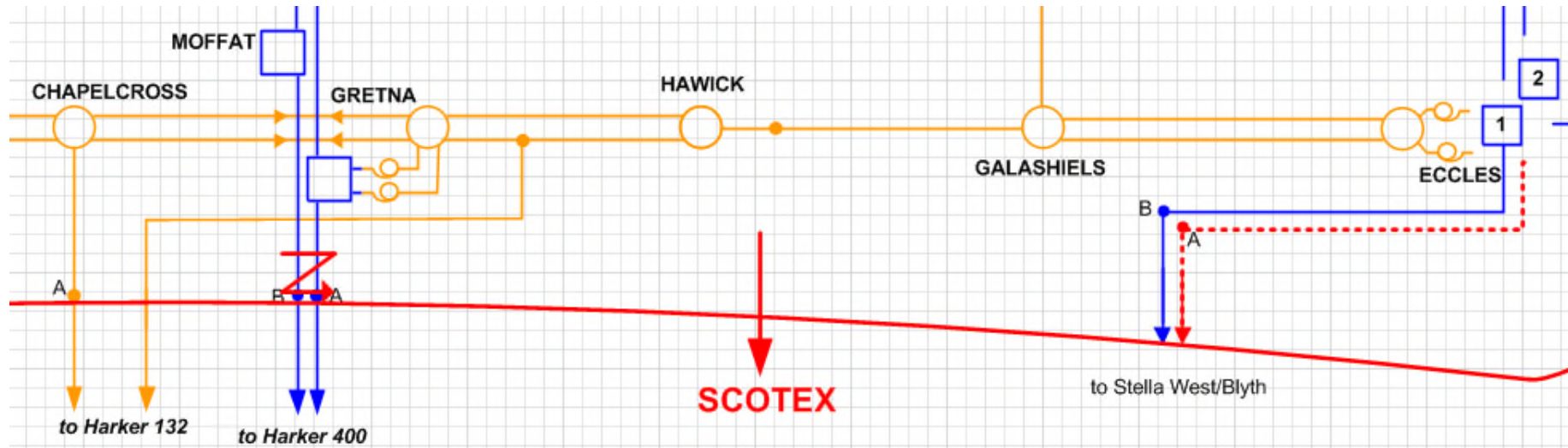
Schematic B6



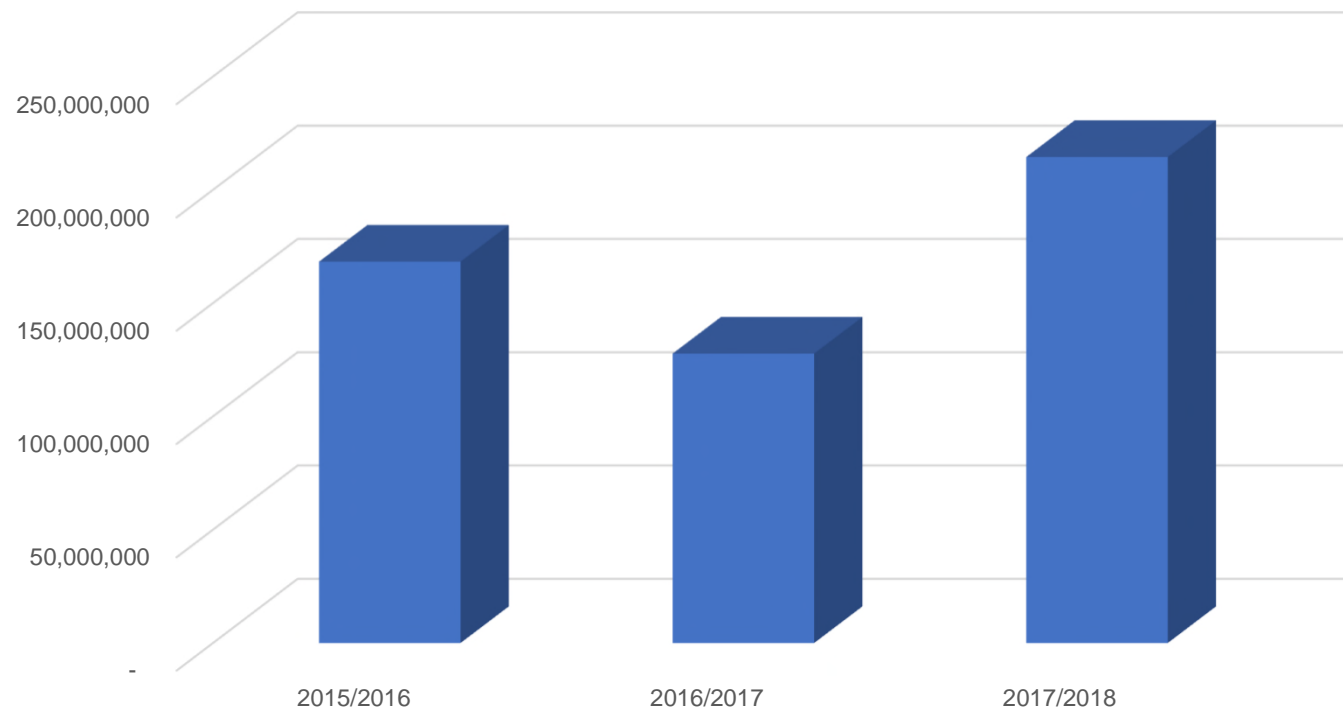
Schematic B6



Schematic B6



SCOTEX BM and Trading Spend

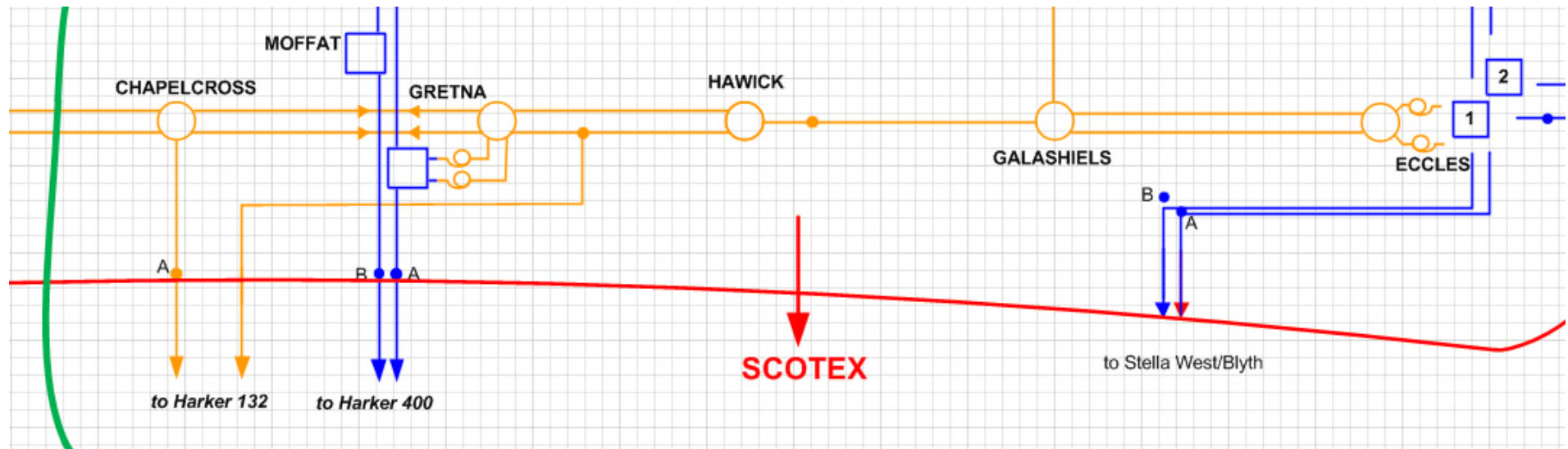


Western Link

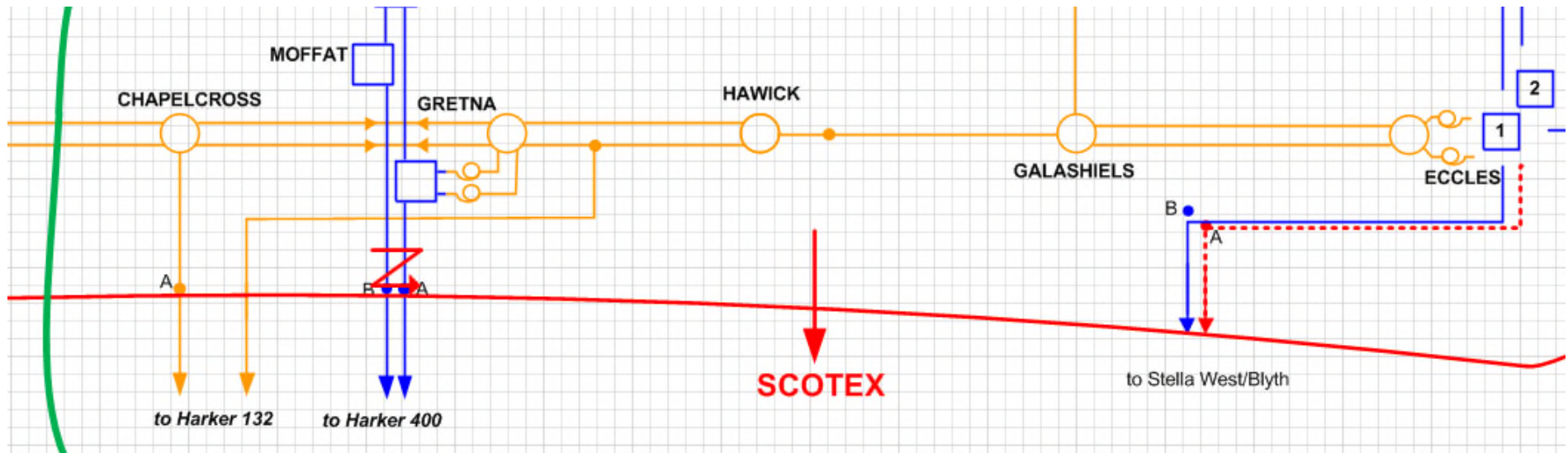
- 2250MW DC link between
- Connected between Hunterston and Flintshire Bridge



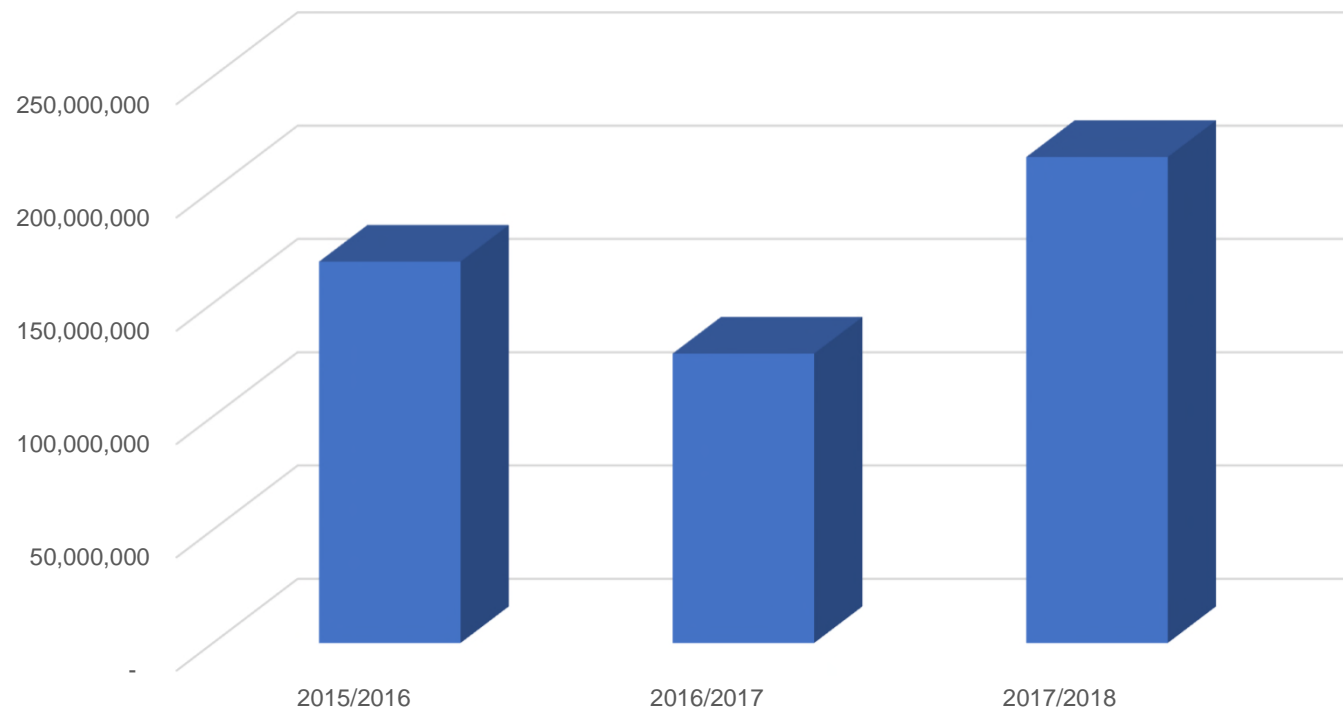
Schematic B6



Schematic B6



SCOTEX BM and Trading Spend



Western Link – Current Status



Voltage Constraints



Demand Evolution

